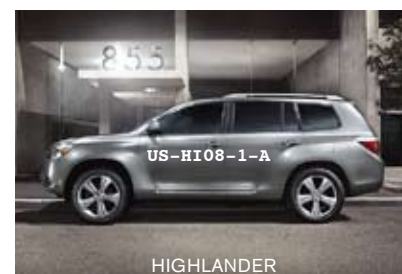
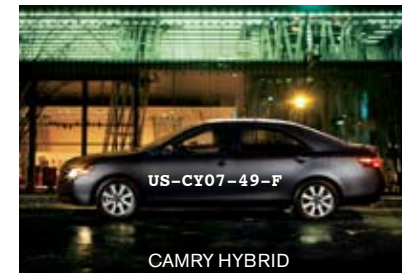
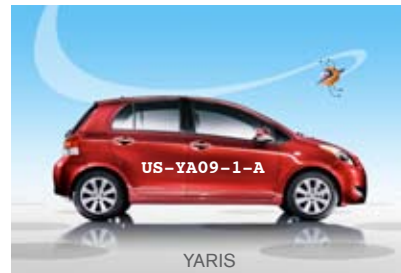




Our eyes are always on the road ahead. Striving to find ways to help you be safe. Go farther on a tank of gas. To help the earth go further on its limited resources. Moving Forward is embedded in our DNA. It's shared by our dealers, and ultimately inspired by our customers. [toyota.com](http://toyota.com) 1-800-GO-TOYOTA



Hybrid Synergy Drive,<sup>®</sup> powering the Prius, Camry Hybrid and Highlander Hybrid, combines a clean-burning gas engine with an efficient electric motor to deliver excellent fuel economy, low emissions and performance.

# COROLLA 10



**FOCUS ON SUSTAINABILITY** This brochure is printed on Sappi's Opus Gloss environmentally responsible paper. 100% of the electricity used to manufacture this paper has been generated from certified renewable energy sources. Opus Gloss uses 30% post-consumer recovered fiber and is FSC (Forest Stewardship Council) certified. This certification assures that this brochure was printed on paper from well-managed forests following FSC requirements through the entire chain of custody - from the tree, to the printer, to the consumer. It is one of the most environmentally responsible coated papers available today.

Toyota's core printing partners embrace responsible forestry management through either FSC or SFI certifications. These printers practice recycling policies for hazardous and non-hazardous materials and print with inks that reduce volatile organic compound (VOC) emissions into the atmosphere. Additionally, one of Toyota's print partners uses renewable wind energy for 100% of its electricity needs, while another generates all its own electrical power and is the only Air Quality Management District (AQMD) certified, "totally enclosed" commercial printing facility in the U.S. with virtually zero VOC emissions.

You can describe the 2010 Toyota Corolla a lot of ways. Corolla is first and foremost solid — from its reputation, to the fit and finish for which Toyota is known. It can do what you depend on a car to do, and keep on doing it an incredibly long time. In the end, you're left with one conclusion: This is how a car was meant to be. No wonder Corolla is the world's all-time, best-selling car.<sup>1</sup> Corolla. Moving Forward.



US-CL10-2-A

S shown in Barcelona Red Metallic with available Sport Package and moonroof.

What's at the heart of Corolla's worldwide popularity? It starts with engineering that systematically builds reliability and longevity into every component. Then add a long list of

standard safety features that reward Corolla owners with peace of mind. Finally, there's the design: a bold statement of style that elevates Corolla to a new level of sophistication.

How can you find fault with Toyota Corolla? After all, this is one substantial automobile. But our engineers just couldn't resist refining the craftsmanship of Corolla a bit more. They made this generation a bit wider and a bit longer. There's even a tad more interior space than in generations that have gone before. Evidently, it's true. You just can't have too much of a good thing.



**AVAILABLE REMOTE KEYLESS ENTRY SYSTEM<sup>1</sup>**

Corolla has convenience covered. You can lock and unlock Corolla's doors with the touch of a button. Unlock the doors and relax – a lighted interior is waiting for you. Or use your remote to pop open the trunk lid. The alarm can also be activated remotely.

<sup>1</sup>. Standard on XLE. Not available on Corolla grade.



**DID YOU KNOW?**  
Toyota introduced the first Corolla in 1960. Since then, its popularity has put nearly 35 million examples of Corolla on the world's highways.



The 2010 Corolla is part art, part science. Our designers gave it a bold, confident style befitting its stature as the world's best-selling sedan! Note the broad shoulders, the prominent grille and the sensuously flowing lines. But it's not just another pretty face. Our engineers made sure that those carefully sculpted forms improved handling by shaping the airflow and creating downforce. That's the science part.

#### STYLE AND SUBSTANCE

Open the door to Corolla XRS and it's showtime. The front seats are deeply bolstered, helping to keep you situated when your road trip turns twisty. A standard rear deck spoiler is a clear signal to all that your XRS is a serious driver's car. And the 17-inch alloy wheels don't merely look sharp. They actually carve the airflow onto the brakes to help cool the components and reduce brake fade.



XRS shown in Magnetic Gray Metallic with available moonroof.



XRS interior shown in Dark Charcoal with available Power Package and Leather Trim Package<sup>3,4</sup>



US-CL08-107-A

#### MOONROOF<sup>2</sup>

Corolla is available with a moonroof that lets in, well, moonlight, as well as the stars and the sun. Even the amenities are practical.



US-CL09-8-A

1. Based on manufacturers' estimate. 2. Not available on Corolla grade. 3. Requires Power Package. 4. S and XRS only.



XLE interior shown in Bisque fabric with available JBL® AM/FM 6-disc in-dash CD changer with Bluetooth® wireless technology.

#### 60/40 REAR SEAT

Inside Corolla, our designers packed surprising versatility. The front seats recline, and the rear 60/40 split-bench seat folds flat to create an incredible amount of cargo room.<sup>3</sup>



#### INTELLIGENT STORAGE

Get organized. Corolla has a huge, dual glove box with a big, deep bin. A separate enclosure is ideal for important papers that need to be kept close at hand.

#### DVD NAVIGATION SYSTEM<sup>1,4</sup>

An available touch-screen DVD navigation system with available XM NavTraffic® offers color-coding of traffic flow on major freeways and shows construction zones and road closures. It's a great confidence booster when you're on a trip.



Available touch-screen DVD navigation system.<sup>1,4</sup>

One of the best things about Corolla is how its interior fits you like a tailor-made suit. As you climb into the cabin, you are rewarded with sensual textures, shapes and sounds. The solid sound of the door shutting behind you. A seat designed with an extended cushion for more support. And a rear seating area that features a nearly flat floor to enhance leg room.

Toyota designers made sure Corolla is a well-appointed car, deliberately suited to the comfort of those who drive it. Behind the wheel, you're greeted by instruments that illuminate with sure precision. And the steering wheel not only tilts and telescopes to accommodate your personal preferences, it also puts available control switches<sup>1</sup> for the audio system and available hands-free phone capability via Bluetooth<sup>®2,3</sup> wireless technology at your fingertips.



**A** **BLUETOOTH<sup>®2,3</sup>**  
Corolla is available with Bluetooth<sup>®</sup> wireless technology, easily enabling the necessary use of your compatible cell phone.

**B** **AUDIO JACK**  
Plug your MP3/WMA player into the auxiliary audio jack and you'll be the maestro of mix-masters.

**C** **AVAILABLE CRUISE CONTROL<sup>5</sup>**  
Corolla's available cruise control feature helps take the fatigue out of extended highway driving.

To drive Corolla is to experience life in the technological fast lane. Press the gas pedal, and an electronically controlled throttle body triggers your acceleration. An innovation called VVT-i, short for Variable Valve Timing with intelligence, helps the engine optimize power, emissions and efficiency. Electric Power Steering (EPS) helps guide you smoothly through the twists and turns. And as you drive Corolla, it even monitors its tire pressure automatically, warning you if it falls critically low.<sup>1,2</sup>

US-CL09-15-A

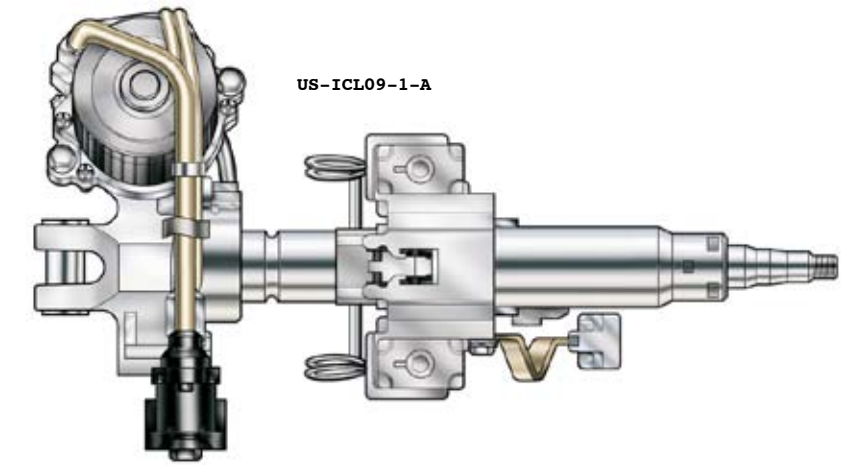


US-CL09-16-A



XRS shown in Black Sand Pearl with available moonroof.

US-CL09-17-A

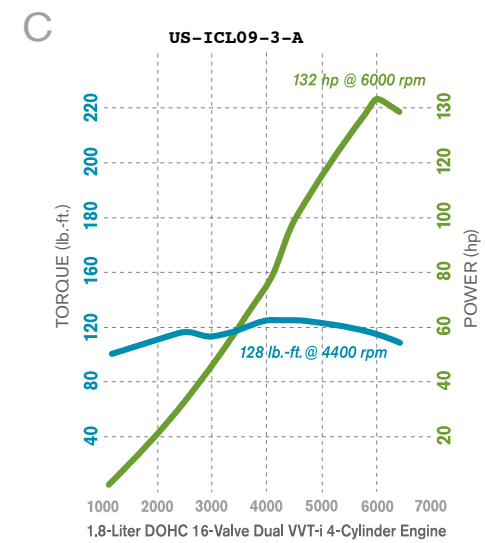
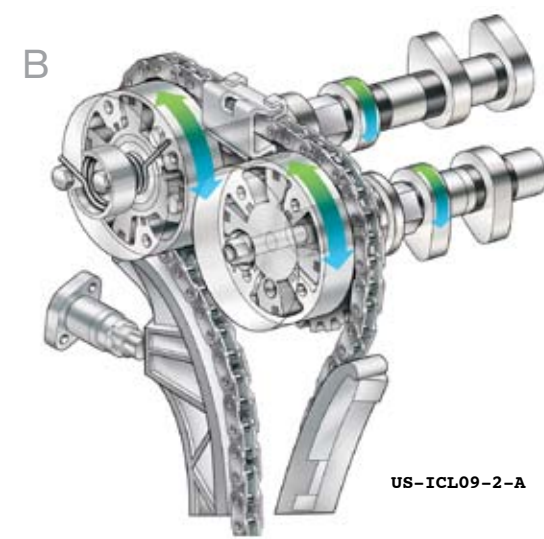
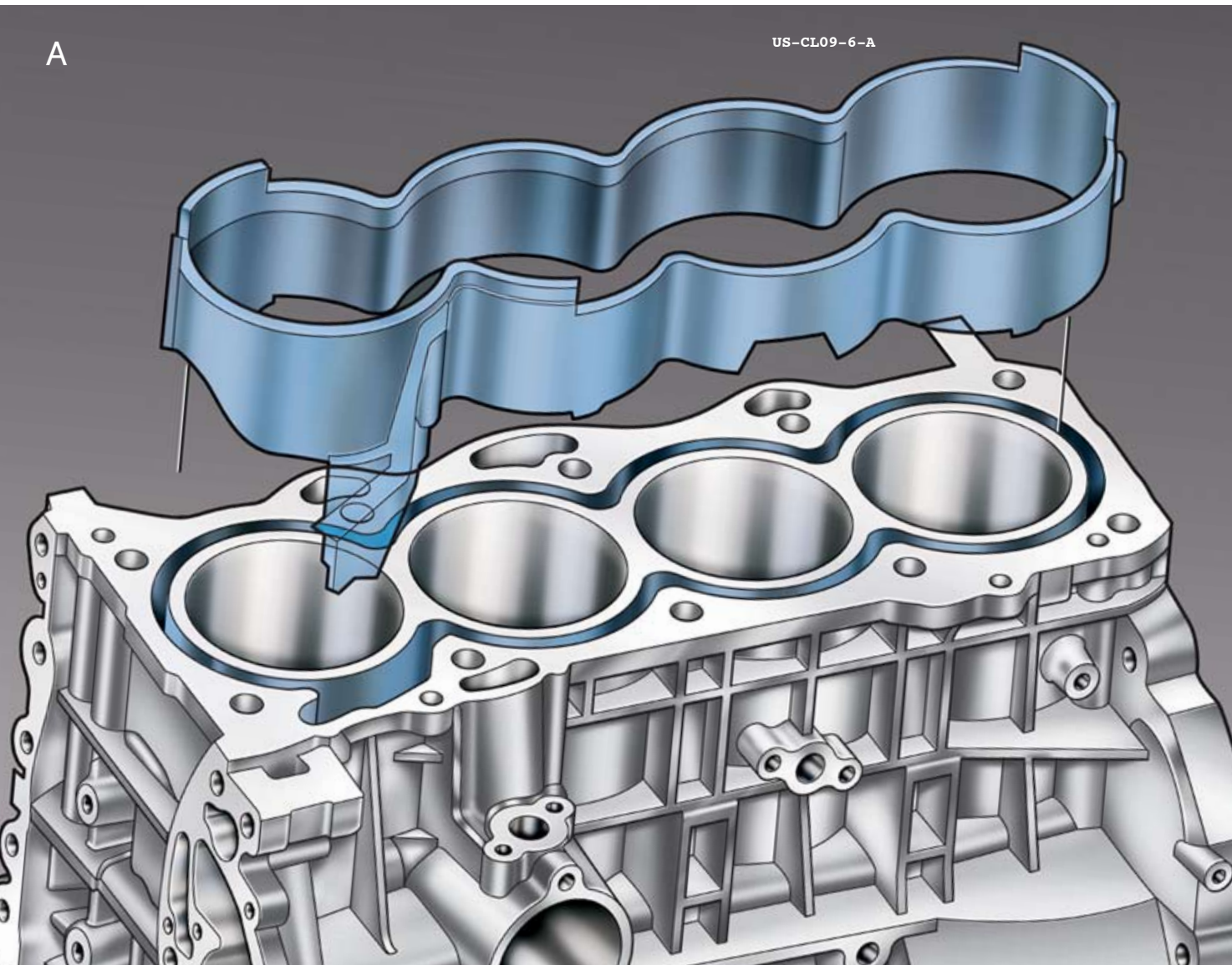


US-ICL09-1-A

#### ELECTRIC POWER STEERING (EPS)

Electric Power Steering (EPS) helps give Corolla steering response that's effortlessly accurate. EPS also eliminates hydraulic-assist components that can reduce fuel economy. And by reducing the use of fluids, it helps lessen Corolla's overall environmental imprint.

Corolla's 132-hp 1.8-liter 4-cylinder engine, standard on Corolla grade, LE, XLE and S, achieves a remarkable balance of performance and efficiency. The DOHC 16-valve engine uses dual VVT-i. The engine block and cylinder head are made from lightweight aluminum alloy. Saving weight saves fuel. With an available automatic transmission in Corolla LE and XLE, these models can get an EPA-estimated 27 city/35 highway mpg rating!<sup>1</sup>



LE shown in Desert Sand Mica.

**A SUPER-COOLING SYSTEM**  
The aluminum-alloy engine of the 2010 Corolla uses lightweight, high-compression pistons kept cool by a "water jacket spacer" that surrounds the cylinder walls. It's a design that also helps make the engine block lighter and more compact.

**B DUAL VARIABLE VALVE TIMING WITH INTELLIGENCE (VVT-i)<sup>2</sup>**  
The sophisticated engineering behind Corolla's dual VVT-i engine pays big dividends at the pump. It intelligently determines the best valve timing for optimum power and efficiency.

**C ENGINE POWER**  
Power is on display in the 2010 Corolla. Equipped with a refined 1.8-liter 16-valve 4-cylinder engine, the 2010 Corolla is rated at 132 hp and 128 lb.-ft. of torque. A little Corolla power goes a long way.

1. 2009 EPA-estimated mileage. Actual mileage will vary. 2. Corolla grade, LE, XLE and S only.

US-CL09-21-A



Standard safety features on Corolla include front, side and side curtain airbags! The front seats incorporate active front headrests? Also standard on all models are three advanced safety technologies. An Anti-lock Brake System (ABS) enhances driver steering control by reducing wheel lockup under hard braking. Electronic Brake-force Distribution (EBD) with Brake Assist<sup>3</sup> balances brake pressure distribution based on vehicle load and braking conditions. It automatically adjusts the brake force applied to each wheel and can transfer braking pressure front-to-rear or side-to-side to help optimize the available traction.



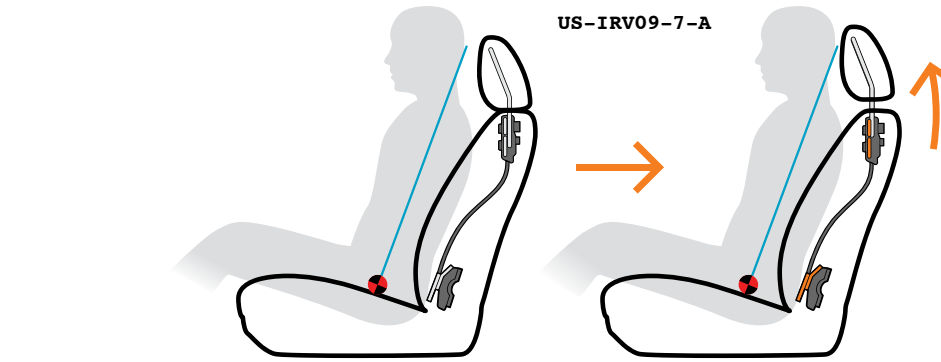
A Correct pressure



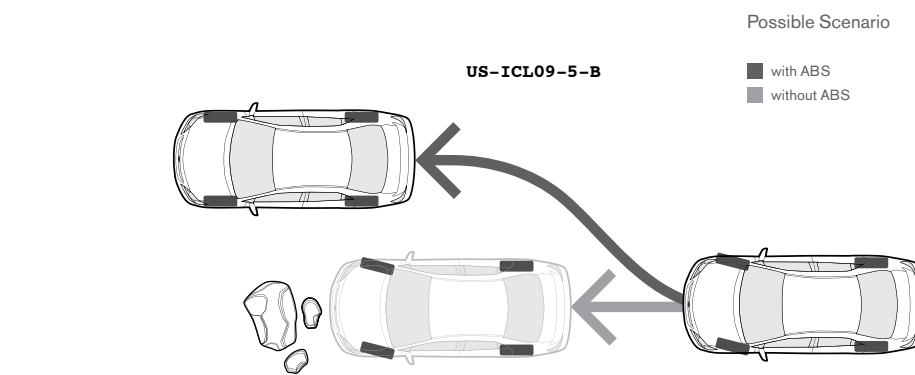
Low pressure



Demo not intended to replicate actual airbag deployment.



B



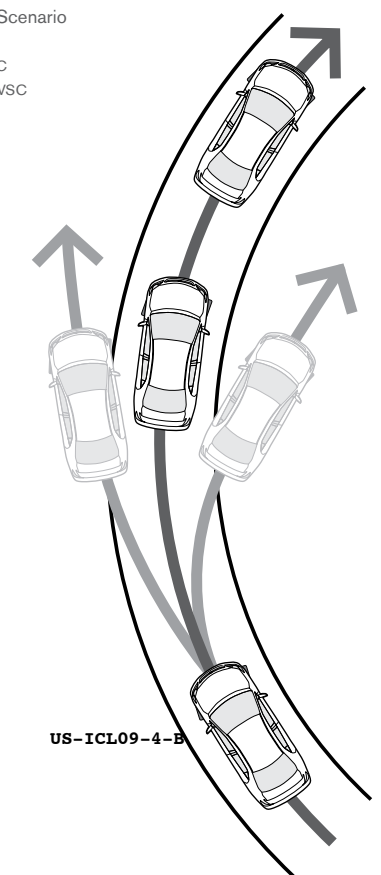
C

#### VEHICLE STABILITY CONTROL (VSC)<sup>4</sup>

Enhanced VSC helps prevent the vehicle from slipping sideways while cornering. To help improve control in these situations, enhanced VSC automatically regulates engine output and brake-force distribution to the wheels. In addition, the system simultaneously provides the Electric Power Steering (EPS) assist torque to help the driver steer in the direction that provides greatest control. An off switch, designed to eliminate VSC, is useful in certain critical conditions.

#### Possible Scenario

■ with VSC  
■ without VSC



#### A TIRE PRESSURE MONITOR SYSTEM (TPMS)<sup>5</sup>

The two tires pictured above may look like they're properly inflated, but the tire on the right is actually under-inflated. The 2010 Corolla comes standard with Toyota's Tire Pressure Monitor System (TPMS). If the pressure in one of Corolla's tires reaches a critically low level, a warning light alerts the driver.<sup>6</sup>

#### B ACTIVE FRONT HEADRESTS<sup>2</sup>

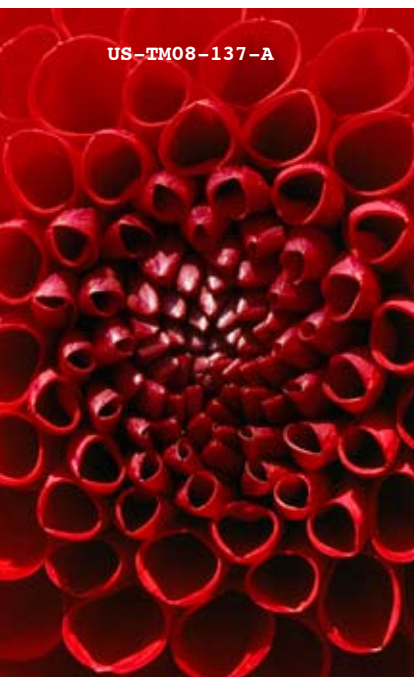
Corolla comes standard with active headrests in the front seats that help keep the occupants' heads ideally positioned in the event of certain rear-end collisions.

#### C ANTI-LOCK BRAKE SYSTEM (ABS)

ABS pulses brakes rapidly during hard braking to help keep the wheels from locking up, and thus helps preserve steering control.

1. See footnote 12 in Combinations section. 2. See footnote 13 in Combinations section. 3. See footnote 14 in Combinations section. 4. See footnote 4 in Combinations section. 5. See footnote 3 in Combinations section. 6. System does not monitor spare tire.

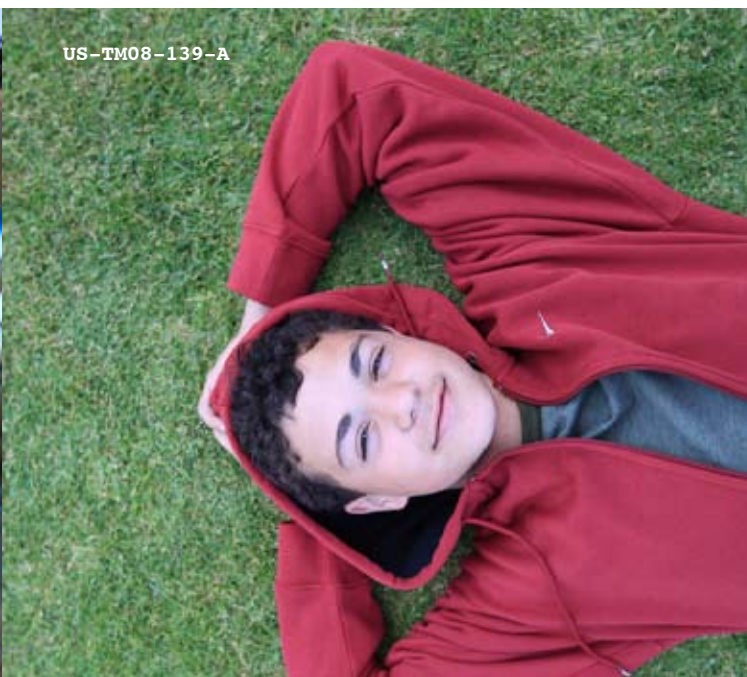
# PEOPLE SAFETY ENVIRONMENT FUTURE



US-TM08-137-A



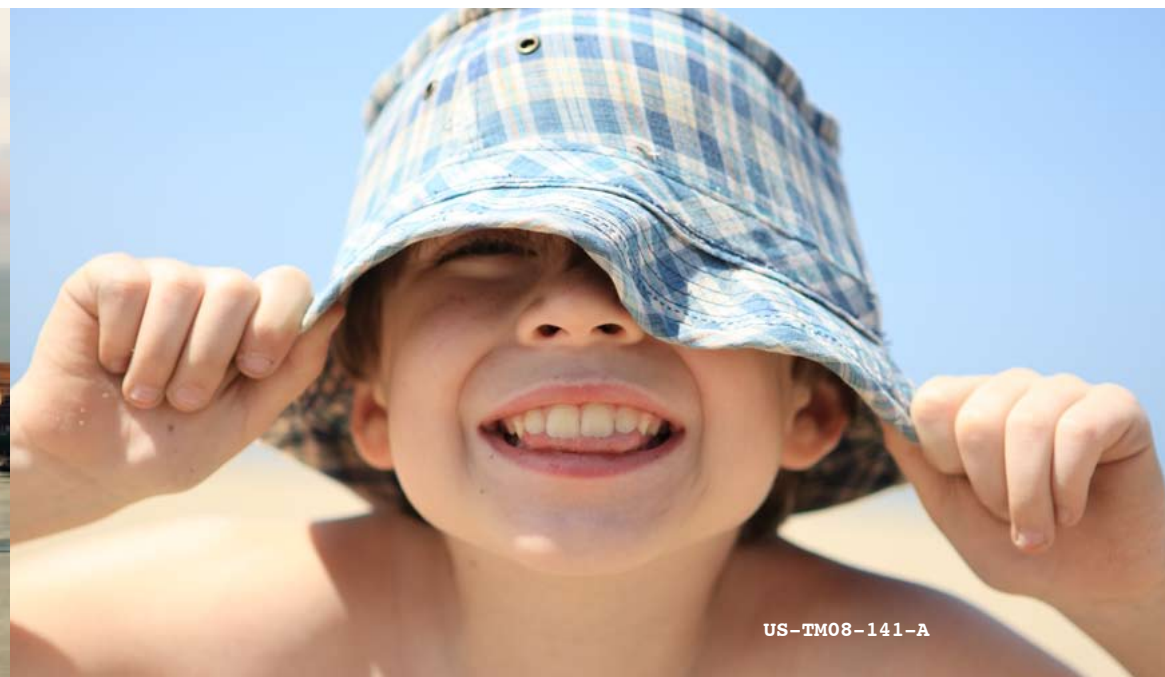
US-TM08-138-A



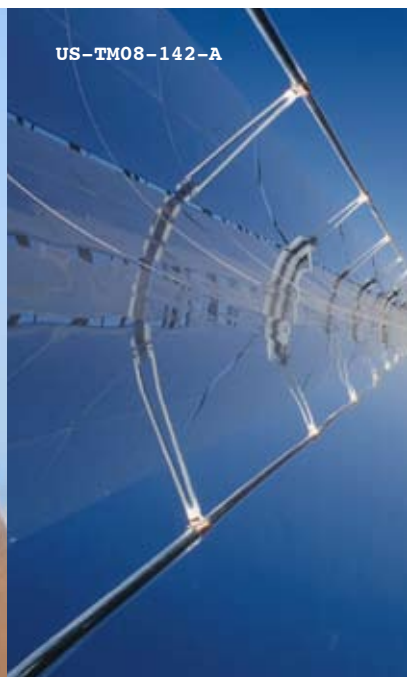
US-TM08-139-A



US-TM08-140-A



US-TM08-141-A



US-TM08-142-A

There's a lot of work to be done in order to make the future a better one for all of us. At Toyota, we recognize the role we play ultimately can be a very large one. It involves moving forward on many fronts, from education and community to a wide range of initiatives aimed at reducing our environmental footprint. Helping

to make driving safe is one of our top priorities. Since 2004, Toyota has offered a free defensive driving program to more than 10,000 teens and adults in 13 cities. Students learn everything from skid control to the consequences of driving while distracted. For more on our safety programs, visit [toyotateendrivers.com](http://toyotateendrivers.com)

Our philanthropic efforts help civic, educational and social support organizations of all kinds improve our schools, neighborhoods and environment. The Toyota International Teacher Program sends U.S. educators to the Galapagos Islands and Costa Rica to share ideas on environmental stewardship.

Closer to home, we're hard at work on ideas for reducing our own impact on the environment. Our holistic approach involves using energy and resources efficiently, improving air quality, encouraging recycling and being a good neighbor. Since the first-generation Prius was introduced in 2000, we've added Highlander Hybrid

and Camry Hybrid to our hybrid offerings. While our 13 production facilities in the U.S. assemble more than one million vehicles a year, our plants are driving hard toward zero landfill waste. A Toyota dealership in Texas is the first auto dealership in the U.S. to earn LEED<sup>1</sup> Gold certification from the U.S. Green Building Council.

The group also certified our South Campus Sales Headquarters of Toyota Motor Sales, U.S.A., in Torrance, California, as one of the largest "green" buildings in the U.S. To learn more about Toyota, its commitment to the environment and its involvement in local communities, visit [toyota.com/whynot](http://toyota.com/whynot)

TOYOTA

## 10 FEATURES<sup>1</sup>

EXTERIOR	COROLLA	LE	XLE	S	XRS	COROLLA	LE	XLE	S	XRS	
Aerodynamic multi-reflector halogen headlamps with Daytime Running Lights (DRL)	S	S	S	-	-	S	S	S	S	S	
Aerodynamic multi-reflector halogen headlamps with Daytime Running Lights (DRL) and black housing	-	-	-	S	S	-	-	-	S	S	
Integrated front fog lamps	-	-	-	S	S	S	S	-	-	-	
Color-keyed rear deck spoiler	-	-	-	O/P	S	-	-	S	S	-	
Intermittent windshield wipers	S	S	-	S	S	-	O	O	O/P	-	
Variable intermittent windshield wipers with mist cycle	-	-	S	-	-	-	-	-	-	S	
Power remote-controlled outside mirrors	S	-	-	-	-	-	-	-	-	S	
Color-keyed power remote-controlled outside mirrors	-	S	S	S	S	-	O	O	O	O	
Heated outside mirrors	P	P	P	P	P	-	-	-	-	-	
<b>INTERIOR</b>											
Multi-information display with outside temperature, instant fuel economy, average fuel economy, driving range, average speed and travel distance since start	S	S	S	S	S	JBL® AM/FM 6-disc in-dash CD changer with MP3/WMA playback capability <sup>8</sup> XM Satellite Radio enabled <sup>9</sup> ; auxiliary audio jack, hands-free phone capability via Bluetooth <sup>®7</sup> wireless technology and eight speakers in six locations (440 watts maximum output) with steering wheel-mounted audio and hands-free controls	-	-	O	O <sup>8,9</sup>	O <sup>8</sup>
Instrumentation: amber-illuminated speedometer, tachometer with LCD odometer and twin tripmeters; and coolant temperature, fuel level and outside temperature gauges	S	S	-	-	-	Touch-screen DVD navigation system <sup>6, 10</sup>	-	-	O	O	O
Instrumentation: Optitron meters with white-silhouette speedometer, tachometer, coolant temperature and fuel level gauges; digital odometer and twin tripmeters with outside temperature display	-	-	S	-	-	Day/night rearview mirror with mounted maplights <sup>2</sup>	-	-	S	S	S
Instrumentation: Optitron sport meters with speedometer, tachometer, coolant temperature and fuel level gauges; digital odometer and twin tripmeters with outside temperature display	-	-	-	S	S	Day/night rearview mirror	S	S	-	-	-
Airbag, seatbelt, low fuel level, door-ajar, battery, check engine, oil pressure, Electric Power Steering (EPS), brake, Direct Tire Pressure Monitor System (TPMS) <sup>3</sup> Vehicle Stability Control (VSC) <sup>4</sup> and Traction Control (TRAC) warning lights	S	S	S	S	S	Power door locks with shift-activated locking feature (shift-activated locking feature on automatic transmission models)	-	S	S	S	S
Digital clock	S	S	S	S	S	Power windows with driver-side auto-down feature	-	S	S	P	P
Cruise control	O	O	O	O/P	S	Passenger-side dual glove compartments	S	S	S	S	S
Leather-trimmed shift knob	-	-	-	P	S	Center console with storage	S	S	-	S	S
Wood-grain-style interior trim	-	-	S	-	-	Sliding center console with card holder	-	-	S	P	P
Metallic-style interior trim	-	S	-	S	S	Front and rear door pockets with integrated bottle holder	S	S	S	S	S
Tilt/telescopic adjustable steering wheel	S	S	S	S	S	Cup holders (two front and two rear)	S	S	S	S	S
Leather-trimmed steering wheel with audio controls	-	-	-	S	S	Fabric-trimmed 4-way adjustable front seats	S	S	S	S	S
AM/FM CD player with MP3/WMA playback capability, satellite radio capability <sup>5</sup> ; auxiliary audio jack, CD-text display function, automatic sound leveling and four speakers	S	S	-	-	-	Unique sport fabric seats	-	-	-	S	S
AM/FM CD player with MP3/WMA playback capability, satellite radio capability <sup>5</sup> ; auxiliary audio jack, CD-text display function, automatic sound leveling and six speakers	-	-	S	S	S	Driver's seat height adjuster	S	S	S	S	S
AM/FM 6-disc in-dash CD changer with MP3/WMA playback capability, satellite radio capability <sup>5</sup> ; auxiliary audio jack, CD-text display function, automatic sound leveling and six speakers	O	O	O	O	O	Leather-trimmed seats and headrests, molded leather door trim, shift knob <sup>11</sup> leather-covered center console with sliding armrest and front seat heaters	-	-	-	P <sup>8,9</sup>	P <sup>8</sup>
<b>SAFETY AND CONVENIENCE</b>											
Driver front airbag and front passenger airbag with Advanced Airbag System <sup>12</sup>	S	S	S	S	S	60/40 split fold-down rear bench seat	S	S	S	S	S
Driver and front passenger front seat-mounted side airbags and front and rear side curtain airbags <sup>12</sup>	S	S	S	S	S	Two 12V auxiliary power outlets	S	S	S	S	S
Active front headrests <sup>13</sup>	S	S	S	S	S	CFC-free air conditioning with air filter	S	S	S	S	S
4-wheel Anti-lock Brake System (ABS) with Electronic Brake-force Distribution (EBD) and Brake Assist <sup>14</sup>	S	S	S	S	S	CFC-free automatic climate control system with air filter	-	-	O	-	-
Direct Tire Pressure Monitor System (TPMS) <sup>3</sup>	S	S	S	S	S	Heavy-duty electric rear window defogger with timer	S	S	S	S	S
Daytime Running Lights (DRL) with auto on/off feature	S	S	S	S	S	Remote trunk release with cancel feature and trunk lamp	S	S	S	S	S
Center high-mount stop lamp (CHMSL)	S	S	S	S	S	Remote fuel-filler door and hood releases	S	S	S	S	S
Vehicle Stability Control (VSC) <sup>4</sup> and Traction Control (TRAC) with off switch	S	S	S	S	S	Multi-function in-key remote keyless entry system with lock, unlock, trunk-release, panic and remote illuminated entry features	-	O	S	P	P
Front and rear energy-absorbing crumple zones	S	S	S	S	S						
Side-impact door beams	S	S	S	S	S						
Energy-absorbing steering column	S	S	S	S	S						
						Head-impact protection structure	S	S	S	S	S
						High-tensile-strength steel body panels	S	S	S	S	S
						Front seatbelt pretensioners with force limiters	S	S	S	S	S
						LATCH (Lower Anchors and Tethers for Children) for outboard rear seating positions only	S	S	S	S	S
						Automatic/Emergency Locking Retractors (ALR/ELR) for all front and rear passenger seatbelts, Emergency Locking Retractor (ELR) for driver's seatbelt	S	S	S	S	S
						3-point rear seatbelts for all rear positions	S	S	S	S	S
						Driver and front passenger 3-point seatbelts with adjustable shoulder anchors	S	S	S	S	S
						Child-protector rear door locks	S	S	S	S	S
						Trunk-entrapment release	S	S	S	S	S
						Anti-theft system with engine immobilizer <sup>15</sup>	S	S	S	S	S

S = Standard O = Optional - = Not Available P = Feature is available as part of an option package.

1. Leadership in Energy and Environmental Design.

See numbered footnotes in Combinations section.

## 10 PACKAGES AND OPTIONS

COROLLA	LE	XLE	S	XRS
<b>All-Weather Guard Package</b> – includes heavy-duty heater with rear-seat heater duct, anti-chipping tape and heated power remote-controlled outside mirrors	Cruise control AM/FM 6-disc in-dash CD changer with MP3/WMA playback capability, satellite radio capability <sup>5</sup> and six speakers			
<b>LE</b> <b>All-Weather Guard Package</b> – includes heavy-duty heater with rear-seat heater duct, anti-chipping tape and heated power remote-controlled outside mirrors	16-in. alloy wheels with P205/55R16 steel-belted radial tires Cruise control AM/FM 6-disc in-dash CD changer with MP3/WMA playback capability, satellite radio capability <sup>5</sup> and six speakers Remote keyless entry system with in-key transmitter Power tilt/slide moonroof with sunshade <sup>2</sup>			
<b>XLE</b> <b>All-Weather Guard Package</b> – includes heavy-duty heater with rear-seat heater duct, anti-chipping tape and heated power remote-controlled outside mirrors	16-in. alloy wheels with P205/55R16 steel-belted radial tires Cruise control CFC-free automatic climate control system with air filter AM/FM 6-disc in-dash CD changer with MP3/WMA playback capability, satellite radio capability <sup>5</sup> and six speakers JBL® AM/FM 6-disc in-dash CD changer with MP3/WMA playback capability <sup>6</sup> XM Satellite Radio enabled <sup>5</sup> auxiliary audio jack, hands-free phone capability via Bluetooth <sup>®7</sup> wireless technology and eight speakers in six locations (440 watts maximum output) with steering wheel-mounted audio and hands-free controls Touch-screen DVD navigation system <sup>6, 10</sup> with AM/FM CD player with MP3/WMA playback capability, satellite radio capability <sup>5</sup> and six speakers Power tilt/slide moonroof with sunshade <sup>2</sup>			
<b>S</b> <b>All-Weather Guard Package</b> – includes heavy-duty heater with rear-seat heater duct, anti-chipping tape and heated power remote-controlled outside mirrors	16-in. alloy wheels with P205/55R16 steel-belted radial tires Cruise control AM/FM 6-disc in-dash CD changer with MP3/WMA playback capability, satellite radio capability <sup>5</sup> and six speakers JBL <sup>®8, 9</sup> AM/FM 6-disc in-dash CD changer with MP3/WMA playback capability <sup>6</sup> XM Satellite Radio enabled <sup>5</sup> auxiliary audio jack, hands-free phone capability via Bluetooth <sup>®7</sup> wireless technology and eight speakers in six locations (440 watts maximum output) with steering wheel-mounted audio and hands-free controls <b>Sport Package</b> – includes 16-in. alloy wheels with P205/55R16 steel-belted radial tires, rear deck spoiler, power windows with driver-side one-touch down, remote keyless entry system with in-key transmitter and cruise control			
<b>XRS</b> <b>All-Weather Guard Package</b> – includes heavy-duty heater with rear-seat heater duct, anti-chipping tape and heated power remote-controlled outside mirrors	AM/FM 6-disc in-dash CD changer with MP3/WMA playback capability, satellite radio capability <sup>5</sup> and six speakers JBL <sup>®8</sup> AM/FM 6-disc in-dash CD changer with MP3/WMA playback capability <sup>6</sup> XM Satellite Radio enabled <sup>5</sup> auxiliary audio jack, hands-free phone capability via Bluetooth <sup>®7</sup> wireless technology and eight speakers in six locations (440 watts maximum output) with steering wheel-mounted audio and hands-free controls <b>Power Package</b> – includes power windows with driver-side one-touch down and remote keyless entry system with in-key transmitter			
<b>ACCESSORIES</b>				

Add a personal touch to your Corolla with Toyota accessories. Some accessories may not be available in all regions of the country. See your Toyota dealer for details.



Body side moldings  
All-weather floor mats  
Ashtray cup  
Auto-dimming mirror  
BLU™ Logic Hands Free System  
Body side moldings  
Cargo net



Rear spoiler  
Remotely engine starter  
Cargo tote  
Carpeted floor mats  
Rear bumper protector  
Rear spoiler  
Remotely engine starter  
Sirius Satellite Radio<sup>5</sup>



Remotely engine starter  
Cargo tote  
Carpeted floor mats  
Rear bumper protector  
Rear spoiler  
Remotely engine starter  
Sirius Satellite Radio<sup>5</sup>



XM Satellite Radio<sup>5</sup>  
Toyota Vehicle Intrusion Protection (VIP) R3200 Plus Security System<sup>17</sup>  
Trunk mat  
Wheel locks  
XM Satellite Radio<sup>5</sup>

## 10 SPECIFICATIONS

MECHANICAL PERFORMANCE	COROLLA	LE	XLE	S	XRS
<b>Engine</b> 1.8-liter DOHC 16-valve dual VVT-i 4-cylinder; 132 hp @ 6000 rpm; 128 lb.-ft. @ 4400 rpm 2.4-liter DOHC 16-valve VVT-i 4-cylinder; 158 hp @ 6000 rpm; 162 lb.-ft. @ 4000 rpm Emissions Rating – Ultra Low Emission Vehicle II (ULEV-II)	Standard NA	Standard NA	Standard NA	Standard NA	NA Standard
<b>Transmission</b> 5-speed manual overdrive 4-speed electronically controlled automatic overdrive with intelligence (ECT-i) 5-speed electronically controlled automatic overdrive with intelligence (ECT-i)	Standard Available NA	NA Standard NA	NA Standard NA	Standard Available NA	Standard NA Available
<b>Body construction</b> Drivetrain: front engine, front-wheel drive	Unitized body Standard	Unitized body Standard	Unitized body Standard	Unitized body Standard	Unitized body Standard
<b>Suspension</b> Steering Turning circle diameter, curb to curb (ft.)	Independent MacPherson strut front, torsion beam rear suspension with front and rear stabilizer bars (XRS adds sport strut tower brace) Electric Power Steering (EPS): power-assisted rack-and-pinion with electronic power assist 35.6		35.6	35.6	36.3
<b>Brakes</b>	Power-assisted ventilated front disc/rear drum (disc brakes on XRS) 4-wheel Anti-lock Brake System (ABS) with Electronic Brake-force Distribution (EBD) and Brake Assist <sup>14</sup>				
Vehicle Stability Control (VSC) <sup>4</sup> and Traction Control (TRAC) with off switch	Standard	Standard	Standard	Standard	Standard
<b>EXTERIOR DIMENSIONS (in.)</b>					
Overall height	57.7	57.7	57.7	57.7	57.7
Overall width	69.3	69.3	69.3	69.3	69.3
Overall length	178.7	178.7	178.7	178.7	178.7
Wheelbase	102.4	102.4	102.4	102.4	102.4
Track (front/rear)	60.3/60.4	60.3/60.4	59.8/59.9	59.8/59.9	59.8/59.9
Minimum running ground clearance	5.8	5.8	5.8	5.8	5.3
<b>INTERIOR DIMENSIONS front/rear (in.)</b>					
Head room (with moonroof)	38.8/37.2	38.8/37.2 (37.9/37.1)	38.8/37.2 (37.9/37.1)	38.8/37.2 (37.9/37.1)	38.8/37.2 (37.9/37.1)
Shoulder room	54.8/54.6	54.8/54.6	54.8/54.6	54.8/54.6	54.8/54.6
Hip room	53.0/43.9	53.0/43.9	53.0/43.9	53.0/43.9	53.0/43.9
Leg room	41.7/36.3	41.7/36.3	41.7/36.3	41.7/36.3	41.7/36.3
Seating capacity	5	5	5	5	5
<b>WEIGHTS AND CAPACITIES</b>					
Curb weight (lb.) manual/automatic	2723/2745	NA/2745	NA/2811	2767/2822	2877/2965
EPA passenger volume (cu. ft.)	92.0	92.0/90.7 <sup>18</sup>	92.0/90.7 <sup>18</sup>	92.0/90.7 <sup>18</sup>	92.0/90.7 <sup>18</sup>
Luggage capacity (cu. ft.)	12.3	12.3	12.3	12.3	12.3
Towing capacity (lb.) <sup>19</sup>	1500	1500	1500	1500	1500
Fuel tank (gal.)	13.2	13.2	13.2	13.2	13.2
<b>TIRES</b>					
Size	Standard Available	P195/65R15 NA	P195/65R15 P205/55R16	P205/55R16 P205/55R16	P215/45R17 NA
Type	Standard	All-Season	All-Season	All-Season	All-Season
Spare	Temporary	Temporary	Temporary	Temporary	Temporary
<b>MILEAGE ESTIMATES (mpg city/highway)<sup>20</sup></b>					
Manual	26/35	NA	NA	26/35	22/30
Automatic	27/35	27/35	27/35	27/35	22/30
<b>WARRANTIES</b>					
Every Toyota Car, Truck and SUV is built to exceptional standards. And that's not idle boasting. We back it up with these Limited Warranty Coverages: <b>Basic:</b> 36 months/36,000 miles (all components other than normal wear and maintenance items). <b>Powertrain:</b> 60 months/60,000 miles (engine, transmission/transaxle, front-wheel drive, rear-wheel drive, seatbelts and airbags). <b>Rust-Through:</b> 60 months/unlimited miles (corrosion perforation of sheet metal). <b>Emissions:</b> Covers varies under Federal and California regulations. Refer to applicable <i>Owner's Warranty Information</i> booklet for details. <b>Accessories:</b> For accessories purchased at the time of the new vehicle purchase, the Toyota Accessory Warranty coverage is in effect for 36 months/36,000 miles from the vehicle's in-service date, which is the same coverage as the Toyota New Vehicle Limited Warranty.					

For accessories purchased after the new vehicle purchase the coverage is 12 months, regardless of mileage, from the date the accessory was installed on the vehicle, or the remainder of any applicable new vehicle warranty, whichever provides greater coverage, with the exception of car covers. Car covers are warranted for 12 months from the date of purchase and do not assume any coverage under the Toyota New Vehicle Limited Warranty.  
You may be eligible for transportation assistance if it's necessary that your vehicle be kept overnight for repairs covered under warranty. Please see your authorized Toyota dealership for further details.  
For complete details about Toyota's warranties, please visit [www.toyota.com](http://www.toyota.com), refer to the applicable *Owner's Warranty Information* booklet or see your Toyota dealer.

## 10 COMBINATIONS

COLOR	FABRIC/LEATHER
 Black Sand Pearl with Dark Charcoal (S and XRS), Bisque or Ash (Corolla, LE and XLE) interior	 Blue Streak Metallic with Dark Charcoal (S and XRS) or Ash (Corolla, LE and XLE) interior
 Capri Sea Metallic <sup>21</sup> with Bisque or Ash (Corolla, LE and XLE) interior	 Magnetic Gray Metallic with Dark Charcoal (S and XRS), Bisque or Ash (Corolla, LE and XLE) interior
 Barcelona Red Metallic with Dark Charcoal (S and XRS), Bisque or Ash (Corolla, LE and XLE) interior	 Desert Sand Mica <sup>21</sup> with Bisque (Corolla, LE and XLE) interior
 Classic Silver Metallic with Dark Charcoal (S and XRS) or Ash (Corolla, LE and XLE) interior	 Super White with Dark Charcoal (S and XRS), Bisque or Ash (Corolla, LE and XLE) interior
 Corolla fabric in Ash	 Corolla fabric in Bisque
 LE and XLE fabric in Ash	 LE and XLE fabric in Bisque
 S fabric in Dark Charcoal	 XRS fabric in Dark Charcoal
 S and XRS leather in Dark Charcoal	
 Corolla and LE standard 15-in. steel wheel with full wheel cover	 XLE standard 16-in. steel wheel with full wheel cover
 LE, XLE and S available 16-in. alloy wheel	 XRS standard 17-in. alloy wheel
 S standard 16-in. steel wheel with full wheel cover	
<b>TOYOTA FINANCIAL SERVICES<sup>22</sup></b>	

Get more with the Toyota Rewards Visa – the card that earns as you spend. Because the more you use it, the more you get.  
Turn everything you buy into points to redeem toward service, parts, accessories or an eligible vehicle purchase or lease; earn 5 points for every \$1 spent at participating Toyota dealers and 1 point for every \$1 spent everywhere else Visa is accepted.<sup>2</sup> Enjoy all these benefits without an annual fee and without an annual cap on points earned or redeemed.  
Visit [www.toyotarewardsvisa.com](http://www.toyotarewardsvisa.com) or call 866-614-8845 for complete details. For more information on Toyota Financial Services' competitive financing, visit [www.toyota.com](http://www.toyota.com).

<sup>1</sup>On approved credit. Terms, conditions and restrictions apply and are fully described in the Toyota Rewards Visa Cardmember Agreement and the Toyota Rewards Program Terms and Conditions. Points redemption not available at Hawaii dealerships. Points cannot be redeemed for cash.  
<sup>2</sup>Your Toyota dealer may impose restrictions on the use of credit cards related to vehicle purchases or leases.  
<sup>3</sup>The creditor and issuer of the Toyota Rewards Visa is Toyota Financial Savings Bank. Toyota Financial Services is a service mark used by Toyota Motor Credit Corporation and Toyota Financial Savings Bank. Financing is available to qualified customers through participating Toyota dealers and Toyota Motor Credit Corporation.

COROLLA	LE	XLE	S	XRS
 Corolla fabric in Ash	 Corolla fabric in Bisque	 LE and XLE fabric in Ash	 LE and XLE fabric in Bisque	 XRS fabric in Dark Charcoal
 S and XRS leather in Dark Charcoal				

1. Toyota strives to build vehicles to match customer interest and thus they typically are built with popular options and option packages. Not all options/packages are available separately and some may not be available in all regions of the country. See [toyota.com](http://toyota.com) for information about options/packages commonly available in your area. If you would prefer a vehicle with no or different options, contact your dealer to check for current availability or the possibility of placing a special order. 2. On models equipped with available moonroof, maplights are located in the overhead console. 3. The Toyota Tire Pressure Monitor alerts the driver when tire pressure is critically low. For optimal tire wear and performance, tire pressure should be checked regularly with a gauge; do not rely solely on the monitor system. See your *Owner's Manual* for details. 4. Vehicle Stability Control (VSC) is an electronic system designed to help the driver maintain vehicle control under adverse conditions. It is not a substitute for safe driving practices. Factors including speed, road conditions and driver steering input can all affect whether VSC will be effective in preventing a loss of control. Please see your *Owner's Manual* for further details. 5. Satellite radio requires XM<sup>®</sup> or Sirius-compatible receiver and monthly service fee. See your Toyota dealer for further details. Reception of the satellite signal may vary depending on location. All fees and programming subject to change. Subscriptions subject to the terms and conditions available at [www.xmradio.com](http://www.xmradio.com) or [www.sirius.com](http://www.sirius.com). Available only in the 48 contiguous United States. Available JBL<sup>®</sup> audio system includes a free 90-day XM Satellite Radio trial. 6. Navigation system and JBL<sup>®</sup> audio system cannot be combined. 7. The Bluetooth<sup>®</sup> technology phones listed on [toyota.com](http://toyota.com) have been tested for compatibility with Toyota vehicles. Performance will vary based on phone software version, coverage and your wireless carrier. Phones are warranted by their manufacturer, not Toyota. 8. Requires Power Package. 9. Requires Sport Package. 10. The navigation system is designed to assist in locating an address or point of interest. XM NavTraffic<sup>®</sup> requires a monthly service fee and hardware, and is designed to provide real-time traffic or alternative routes of travel. Discrepancies may be encountered between the system and your actual location. Road system changes may affect the accuracy of the information provided. Rely on your common sense to decide whether to follow a specified route. Detailed coverage not available in every city or roadway. Periodic navigation updates available at an additional cost. See your *Navigation System Owner's Manual* for further details. 11. Leather-trimmed shift knob standard on XRS. 12. All the airbag (AB) systems are Supplemental Restraint Systems. All ABs (if installed) are designed to inflate only under certain conditions and in certain types of severe collisions: frontal and knee ABs typically inflate in frontal collisions; side and side curtain ABs in side collisions; Roll-Sensing Curtain ABs at a severe tilt degree, rollover or lateral G-force. In all other accidents, the ABs will not inflate. To decrease the risk of injury from an inflating AB, always wear seatbelts, sit upright in the middle of the seat as far back as possible and do not lean against the door. Do not put objects in front of an AB or around the seatback. Do not use a rearward-facing child seat in any front passenger seat. The force of an inflating AB may cause serious injury or death. See your *Owner's Manual* for further information/warnings. 13. Active headrests can help reduce the extent of whiplash in certain types of rear-end collisions. 14. Brake Assist is designed to help the driver take full advantage of the benefits of ABS. It is not a substitute for safe driving practices. Braking effectiveness also depends on proper brake-system maintenance and tire and road conditions. 15. The engine immobilizer is a state-of-the-art anti-theft system. When you insert your key into the ignition switch, the key transmits an electronic code to the vehicle. The engine will only start if the code in the transponder chip inside the key matches the code in the vehicle's immobilizer. Because the transponder chip is embedded in the key, it can be costly to replace. If you lose a key, your Toyota dealer can help, or you can find a qualified independent locksmith to replace your key or perform high-security key services at [www.aloa.org](http://www.aloa.org). 16. iPod<sup>®</sup> is a registered trademark of Apple, Inc. All rights reserved. 17. Available for vehicles with factory remote keyless entry. 18. With available power moonroof. 19. Before towing, confirm your vehicle and trailer are compatible, hooked up and loaded properly and that you have any necessary additional equipment. Do not exceed any Weight Ratings and follow all instructions in your *Owner's Manual*. The maximum you can tow depends on the total weight of any cargo, occupants and available equipment. 20. 2009 EPA-estimated mileage. Actual mileage will vary. 21. Not available on S or XRS.

Some vehicles are shown with available equipment. Seatbelts should be worn at all times. For details on vehicle specifications, standard features and available equipment in your area, contact your Toyota dealer. A vehicle with particular equipment may not be available at the dealership. Ask your Toyota dealer to help locate a specifically equipped vehicle.  
All information presented herein is based on data available at the time of printing, is subject to change without notice and pertains specifically to mainland U.S.A. vehicles only.