



BMW  
X5 M  
BMW  
X6 M



The Ultimate  
Driving Machine®

# THE BMW X5 M AND BMW X6 M.

UNCOMPROMISINGLY DIFFERENT.



**TRACK  
MEETS  
TRACTION.**

**THE BMW X5 M  
AND BMW X6 M.**



**Contents**

**The BMW X5 M and X6 M**

06 | 17 Exterior BMW X5 M and X6 M

18 | 23 Interior

**Technology**

24 | 25 Engine | Transmission

26 | 27 Chassis | Brakes

28 | 29 BMW M tradition

**Equipment**

30 | 33 Paints | Leather upholsteryes | Interior trims | Combinations

34 | 35 Equipment details

36 | 37 Technical data | Technical illustrations

38 | 39 Build Your Own | BMW M School driver training

40 | 41 BMW Services



**BMW X5 M**

For complete details on equipment and specifications, please visit [bmwusa.com](http://bmwusa.com).

X5 M shown with the following equipment:

Engine: 4.4-liter, M TwinPower Turbo V-8  
 Power output: 555 hp @ 6000 rpm  
 Torque output: 500 lb-ft @ 1500-5650 rpm  
 Wheels: V Spoke (Style 299M) light cast alloy  
 Exterior color: Monte Carlo Blue Metallic  
 Upholstery: Silverstone Full Merino Leather  
 Interior trim: Carbon Leather

The X5 M and X6 M: the first M vehicles created for those seeking legendary high-performance thrills, with the stability of BMW's intelligent all-wheel drive. A highly efficient M designed turbo V-8 engine delivers pure high-performance muscle and a growl to match. A custom-tuned suspension and Dynamic Performance Control work in tandem with BMW's xDrive, for all-wheel-drive traction with a sporty, responsive feel. And inside, distinctive leathers and trims, matched with compelling contours and design cues, welcome you to the M side of luxury.



Want the inside scoop on BMW? You can find us on Facebook® at [facebook.com/bmwusa](https://facebook.com/bmwusa).



**BMW X6 M**

For complete details on equipment and specifications, please visit [bmwusa.com](http://bmwusa.com).

X6 M shown with the following equipment:

Engine: 4.4-liter, M TwinPower Turbo V-8  
 Power output: 555 hp @ 6000 rpm  
 Torque output: 500 lb-ft @ 1500-5650 rpm  
 Wheels: Double Spoke (Style 300M) light cast alloy  
 Exterior color: Melbourne Red Metallic  
 Upholstery: Black Full Merino Leather  
 Interior trim: Brushed Aluminum Shadow



THE BMW X6 M.  
THE DEFINITION OF SAVAGE BEAUTY.



We took a groundbreaking formula – the Sports Activity Coupe® – and added equal parts M engineering and M design to create a captivating vehicle: the X6 M, a high-performance all-wheel-drive dream machine. Its dynamic contours fall somewhere between artwork and aircraft; a muscular stance and aggressive front end are paired with a sleek coupe roofline and the convenience of four doors. The formidable exterior is accented by a host of M-specific details, from the signature M gills and aggressive quad chrome tailpipes, down to the handsome, standard 20-inch light alloy wheels. Exclusive M paint colors include a head-turning Melbourne Red Metallic. Forget “attention-getting” – the X6 M demands to be seen.



**FINALLY, A PULSE-TUNED,  
TURBOCHARGED REASON TO  
TAKE THE ROAD LESS TRAVELED.**

There's much more to the X5 M and X6 M than mere visual stimulation. An M designed 4.4-liter turbo V-8 engine with High Precision Direct Injection offers total command of 555 hp and 500 lb-ft of torque – more than enough to remind the driver that all M vehicles are born on the track. This dynamic V-8 features BMW M's innovative twin pulse-tuned turbochargers. Compared to conventional, previous-generation turbocharged engines, these twin turbos deliver greater acceleration response, faster and more evenly across nearly the entire powerband, from 1500 to 5650 rpm. Enhancing the high-performance driving experience: a 6-speed M Sport Automatic transmission featuring paddle shifters on the steering wheel. And special M-tuned driving systems – such as M Dynamic Mode and Dynamic Performance Control – operate together seamlessly, while allowing you customized control over road feel and responsiveness.



**THE BMW X5 M.  
ALL-WHEEL-DRIVE STABILITY,  
NOW AVAILABLE IN "WOW."**



The intelligent traction and spacious luxury of BMW's Sports Activity Vehicle® platform meets pure M Power in the X5 M. It's endowed with the same stunning V-8 engine, customized suspension and intelligent all-wheel-drive capabilities as the X6 M, but designed with a slightly higher driving position, plenty of room to seat five comfortably, and a larger cargo area. But make no mistake: the X5 M's high-performance credentials are easy to spot. Three large air intakes, a low, sporty stance, and quad chrome tailpipes place it firmly in the realm of the track-inspired. And once you drive it, you'll need no convincing of its M heritage.



**HIGH-PERFORMANCE TWINS.  
SEPARATED BY DESIGN.  
JOINED AT THE FINISH LINE.**



## PLENTY OF SPACE FOR FIVE PEOPLE – AND ALL THEIR M FANTASIES.

What's the best way to tackle tight curves and cruise through straight-aways? In comfort and style, of course – and that's where the X5 M excels. An inspiring M sportiness pervades the entire cabin, from the exquisite double stitching to sleek Carbon Leather trim. Upgrade to the Enhanced Premium Sound Package, and lose yourself in your favorite roadtrip soundtrack, delivered through 16 speakers. The Panoramic

moonroof and four-zone climate control transport passengers in first-class style. And even with its emphasis on luxury and high-performance, the X5 M also delivers practicality: with the split-folding rear seats down, there's more than 70 cubic feet of storage space, easily accessed via the large rear tailgate.



**FROM HERE, EVERYTHING FEELS LIKE AN ADVENTURE UNDER YOUR COMMAND.**

Those behind the wheel of the X5 M and X6 M are presented with nothing less than the latest and most luxurious M appointments. Grab hold of the latest-generation iDrive Controller, check your maps and set your coordinates. The M-specific Head-up Display flashes important driving data, like rpms and gear selection, all at a quick, eye-level glance. An array of controls within the driver's easy reach

operate innovative driving technologies like M Drive and Electronic Damping Control (EDC). For the ultimate in comfort, the fully adjustable M Sport front seats are clad in supple Merino Leather upholstery. The Brushed Aluminum Shadow trim and leather-covered dash<sup>1</sup> add an inspiring elegance to the cockpit.

<sup>1</sup>Included in Full Leather interior option.

X6 M interior shown.  
Get the latest information on BMW standard and optional features, packages and technical specifications. Visit [bmwusa.com](http://bmwusa.com), select the BMW model of your choice, and click on "Features & Specs."

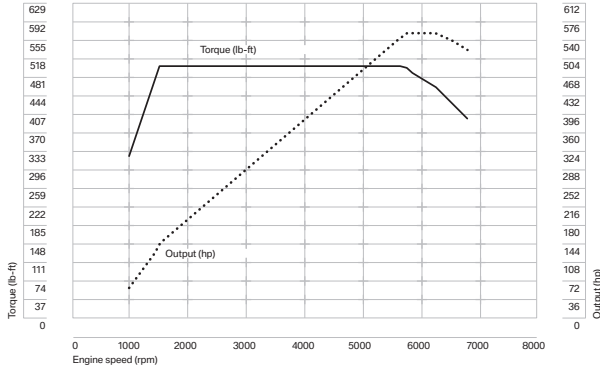


In the four-seater X6 M, the two rear passengers enjoy the comfort and convenience of a large center armrest with an integrated sliding cover.

## INTERIOR MOTIVES: THE SENSUOUS CABIN OF THE X6 M.

Once you sit inside the X6 M, you'll know the meaning of "luxury performance." Every surface and corner shows signs of M-enhanced comfort – from the rich Merino Leather upholstery and striking trims, to the Cold Weather Package, which adds a heated steering wheel, heated rear seats, and a ski bag for the pass-through, accessed by the fold-down rear-seat backrests. Individual rear seats with integrated headrests and side supports soothe and accommodate passengers on even the longest trips. Choose either three rear seats or two rear seats and a convenient center armrest with storage. And add the Comfort Access system, which provides single-touch opening of the rear tailgate for quick and convenient loading of the amply sized cargo area.

Get the latest information on BMW standard and optional features, packages and technical specifications. Visit [bmwusa.com](http://bmwusa.com), select the BMW model of your choice, and click on "Features & Specs."



Maximum torque is available across an extremely broad rev band, from 1500 to 5650 rpm, creating rapid responsiveness not normally associated with a turbo engine. Traction is also consistently high, even in the upper rev ranges.

## THE M-DESIGNED TURBO V-8 ENGINE. BEFORE IT EARNS ITS LETTER, WE MAKE SURE IT CAN FLY.

The M designation is one we take seriously: it represents our fastest, strongest, most aggressive vehicles, especially when it comes to what's under the hood. Case in point: BMW M's latest 4.4-liter V-8 engine features one – make that two – impressive world's firsts. The twin turbos of this 555-hp engine don't merely add pavement-punishing torque; they do so in a completely revolutionary way. Each turbo is pulse-tuned to the engine, delivering

boosts of power at precisely the optimal time, for consistent and reliable bursts of M acceleration throughout the powerband. For the driver, that means there's a track-inspired 500 lb-ft of torque on hand from 1500 to 5650 rpm – more than enough for any tarmac takeoff. An ideal high-performance companion, the M Sport Automatic transmission harnesses this power with uncommonly smooth 6-gear shifting, easily accessed via the paddle shifters

on the steering wheel. M Drive adds another element of customizability: selecting either the Normal or Sport mode alters the responsiveness of various parameters – including throttle sensitivity, steering, suspension and more – to accommodate any driver's mood. Either mode can be chosen via iDrive, and then called up using the M Drive button located on the steering wheel.



The M Drive function acts as a “memory button” for key driving dynamics, including suspension, stability, steering and throttle sensitivity. Customize these driving dynamics using the iDrive Controller by selecting either Normal (default mode) or Sport mode. In addition, Dynamic Stability Control has three modes: Off, Normal and M Dynamic Mode. Once these settings are saved, just press the M Drive button, and they're recalled for driver convenience.

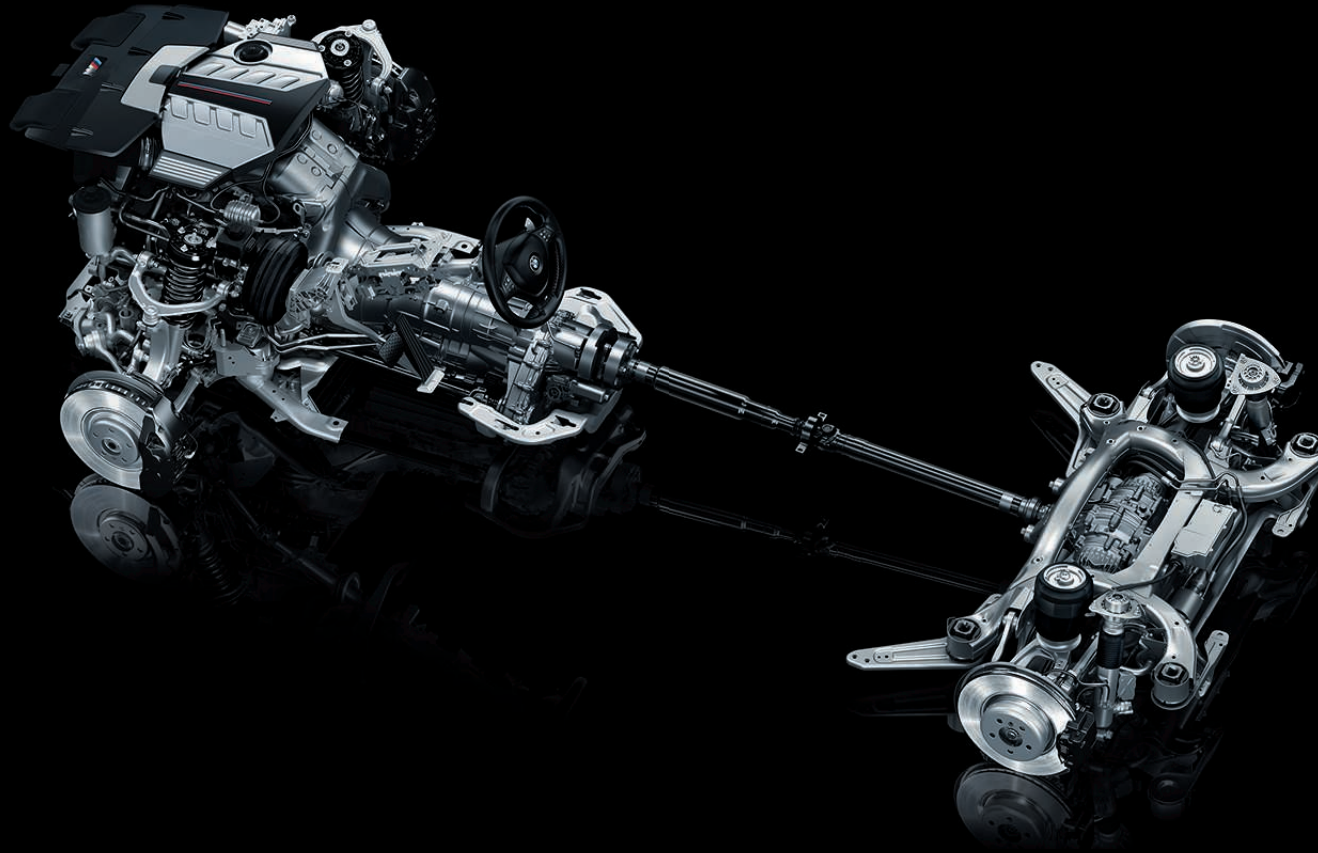


Like every BMW, the BMW X5 M and X6 M come with the BMW EfficientDynamics technology package as standard. With features such as High Precision Direct Injection using piezo injectors, the M TwinPower Turbo V-8 engine sets benchmarks in terms of its performance/fuel consumption ratio.



Two highly efficient Twin Scroll turbochargers form the basis of an astonishingly rapid response. A BMW-patented cross-bank exhaust manifold combines the exhaust flows from each of the cylinder pairs (illustration, far left). These are then routed into a channel in the snail-shell-like turbine housings (hence “scroll”), separate from the exhaust flows of the other cylinders, thus enabling them to reach the turbine wheel unimpeded and at high speed (illustration, right).

M-specific spring-damper tuning underpins driving stability and contributes to outstandingly neutral self-steering properties. Depending on the desired tuning mode – for enhanced long-distance comfort or dynamic driving, for instance – you can choose between the two damper settings Normal and Sport by pressing a button on the gear selector lever.



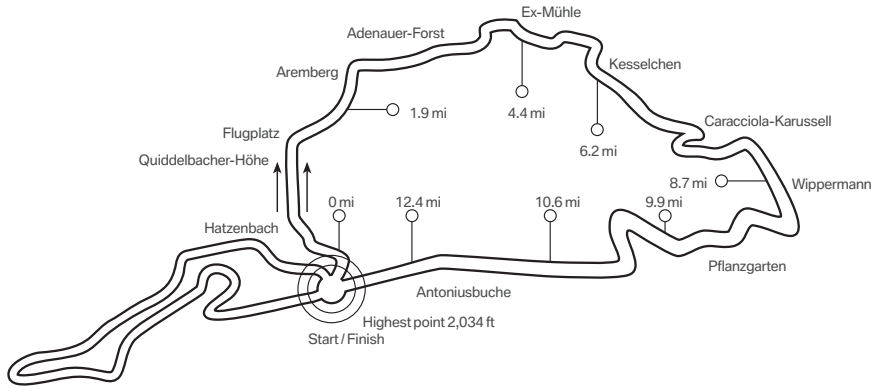
The lightweight high-performance brake system is remarkable for its extremely short braking distances and high stability. Braking power can be finely applied and the system responds to brake commands with precision. Even at high speeds the deceleration values are impressive.

## THE GROUNDWORK FOR EVERY M THRILL TO COME: A PRECISION SUSPENSION.

From exhilarating cornering to rock-solid stability, when it comes to M high performance, it all starts at ground level. The customized suspensions of the X5 M and X6 M are specially designed to withstand the rigors of track-inspired handling, while serving as a platform for xDrive, BMW's grip-enhancing all-wheel drive. The BMW X5 M and X6 M models are the first M vehicles to feature BMW's intelligent all-wheel-drive system, yet are set up specifically for a rear-wheel bias in dynamic driving situations. The advanced traction system behind this seemingly impossible feat of engineering: Dynamic Performance Control. Designed to retain the sporty,

rear-wheel-drive feel of M vehicles, Dynamic Performance Control knows precisely when and where to deliver lateral power independently to all four wheels, for the most athletic driving response in any situation. Particularly during cornering, more power is transferred to the wheels with the most traction, so that the X5 M and X6 M handle more like sports cars half their size. Another innovative addition is Adaptive Drive, which governs and adjusts, among other parameters, roll stabilization and Electronic Damping Control (EDC). Push the X5 M or X6 M to the limit, and the negative effects of g-forces associated with sharp turns, fast braking and other

M-type driving actions are minimized. Each of these systems is designed to work together seamlessly, and many settings can also be adjusted individually – for example, you can control the degree of damping via the DDC button next to the gear lever. And when it's time to really put these models through their paces, simply press the M Drive button on the steering wheel, and your preferred presets for suspension, steering, throttle sensitivity and more are instantly recalled. Discover a fully customizable driving experience that responds to your style – in fact, the control functions of Dynamic Stability Control (DSC) will intervene only in hazardous situations.



## BORN IN THE MINDS OF RACING ENTHUSIASTS. PERFECTED ON THE TRACK.

In 1978, the first BMW M model – the legendary M1 – became the fastest German road sports car. Since that time, BMW’s philosophy of combining racetrack thrills and everyday driving has been built into every M vehicle created. From advanced

high-performance engines and sport-tuned suspensions, to luxurious handcrafted interiors and exclusive design details, each M model is a cutting-edge execution of what we’ve learned on the track – and what we’re most passionate about. No wonder, then,

that all M vehicles – including, of course, the X5 M and X6 M – are rigorously tested on tracks like the notorious Nürburgring Nordschleife. It’s how we’ve turned high-performance dreams into reality, for more than three decades.

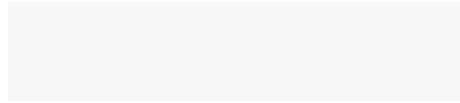


The following pages show available colors and materials for the BMW X5 M and BMW X6 M. Use these samples to compare paint, upholstery, trim colors and combinations. Please note that these samples are printed representations; they are not exact reproductions. To see the actual colors, visit your preferred BMW SAV® center. They will be happy to show you original samples and assist you with special requests. Please refer to the Combinations chart on page 33 for details on limitations and exclusivity when selecting X5 M and X6 M upholstery materials and colors.

[bmwusa.com/byo](http://bmwusa.com/byo)

### Exterior colors

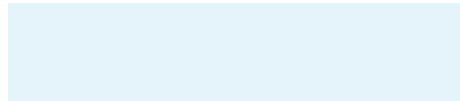
300 Alpine White Non-metallic



A52 Space Gray Metallic



A29 Silverstone Silver Metallic



B05 Monte Carlo Blue Metallic



475 Black Sapphire Metallic



A75 Melbourne Red Metallic



416 Carbon Black Metallic

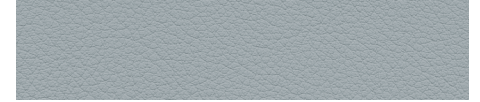


### Upholstery colors

LKSW Black Extended Merino Leather



LKA9 Silverstone Extended Merino Leather



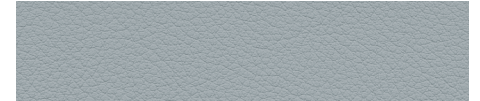
LKH3 Bamboo Beige Extended Merino Leather



X3SW Black Full Merino Leather<sup>1</sup>



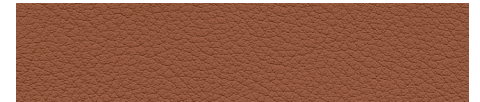
X3A9 Silverstone Full Merino Leather<sup>1</sup>



X3H3 Bamboo Beige Full Merino Leather<sup>1</sup>



X3ZM Cinnamon Full Merino Leather<sup>1</sup>



X3DA Sakhir Orange Full Merino Leather<sup>1</sup>



X2SW Black Perforated Full Merino Leather<sup>1,2</sup>



X2A9 Silverstone Perforated Full Merino Leather<sup>1,2</sup>



X2H3 Bamboo Beige Perforated Full Merino Leather<sup>1,2</sup>



Leather upholstery includes all seating surfaces, headrests, door armrests and front center console armrest.

<sup>1</sup> Includes Nappa Leather dashboard and center console.

<sup>2</sup> Requires and must be ordered with Active Ventilated Seat Package.

Recommended color combinations

Upholstery materials	Extended Merino Leather			Full Merino Leather <sup>1</sup>					Perforated Full Merino Leather <sup>1,2</sup>		
	Black	Silverstone	Bamboo Beige	Black	Silverstone	Bamboo Beige	Cinnamon	Sakhir Orange	Black	Silverstone	Bamboo Beige
<b>Exterior colors</b>											
<b>300</b> Alpine White Non-metallic	•	•	•	•	•	•			•	•	•
<b>A52</b> Space Gray Metallic	•	•	•	•	•	•	•	•	•	•	•
<b>475</b> Black Sapphire Metallic	•	•	•	•	•	•	•	•	•	•	•
<b>A29</b> Silverstone Silver Metallic	•	•		•	•		•		•	•	
<b>A75</b> Melbourne Red Metallic	•	•	•	•	•	•			•	•	•
<b>B05</b> Monte Carlo Blue Metallic	•	•		•	•				•	•	
<b>416</b> Carbon Black Metallic	•	•	•	•	•	•	•	•	•	•	•
<b>Interior trims</b>											
<b>737</b> Brushed Aluminum Shadow	•	•	•	•	•	•	•	•	•	•	•
<b>4MY</b> Carbon Leather	•	•	•	•	•	•	•	•	•	•	•
<b>4MU</b> Red Brown Grained Wood	•	•	•	•	•	•	•	•	•	•	•
<b>4ML</b> Piano Black	•	•	•	•	•	•	•	•	•	•	•

<sup>1</sup> Includes Nappa Leather dashboard and center console.

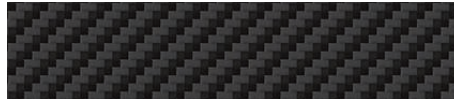
<sup>2</sup> Requires and must be ordered with Active Ventilated Seat Package.

Interior trims

737 Brushed Aluminum Shadow



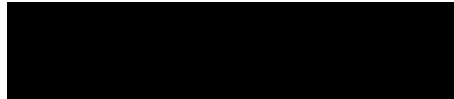
4MY Carbon Leather



4MU Red Brown Grained Wood



4ML Piano Black





- 1 X6 M front apron with large air intakes and flaps; Double Spoke (Style 300M) light cast alloy wheels.
- 2 M gill with side indicator and M logo in the sidewall (BMW X6 M design).
- 3 M door-sill finishers in brushed stainless steel.

- 4 X5 M rear apron with M quad tailpipes; V Spoke (Style 299M) light cast alloy wheels.
- 5 M multi-function leather-wrapped steering wheel with M Drive button and paddle shifters; M instrument cluster.
- 6 Electronic gear selector lever with M logo; iDrive Controller.



		X5 M	X6 M
--	--	------	------

**Weight**

Unladen weight	lbs	5368	5324
Weight distribution, front / rear	%	51.7/48.3	52.4 /47.6

**Engine**

Liters / type		4.4-liter twin-turbocharged V-8	4.4-liter twin-turbocharged V-8
Displacement	cc	4395	4395
Bore / stroke	inch	3.50 / 3.48	3.50 / 3.48
Nominal output / rpm	hp	555 / 6000	555 / 6000
Maximum torque / rpm	lb-ft	500 / 1500–5650	500 / 1500–5650

**Transmission**

Automatic gear ratios I / II / III	:1	4.17 / 2.34 / 1.52	4.17 / 2.34 / 1.52
IV / V / VI / R	:1	1.14 / 0.87 / 0.69 / 3.40	1.14 / 0.87 / 0.69 / 3.40
Final drive ratio	:1	3.91	3.91

**Performance**

Drag coefficient	C <sub>d</sub>	0.38	0.38
Top speed <sup>1</sup>	mph	155	155
Acceleration 0-60 mph <sup>2</sup>	sec	4.5	4.5

**Fuel consumption<sup>3</sup>**

City / highway	mpg	12 / 17	12 / 17
Tank capacity, approx.	gal	22.5	22.5

**Tires, wheels and brakes**

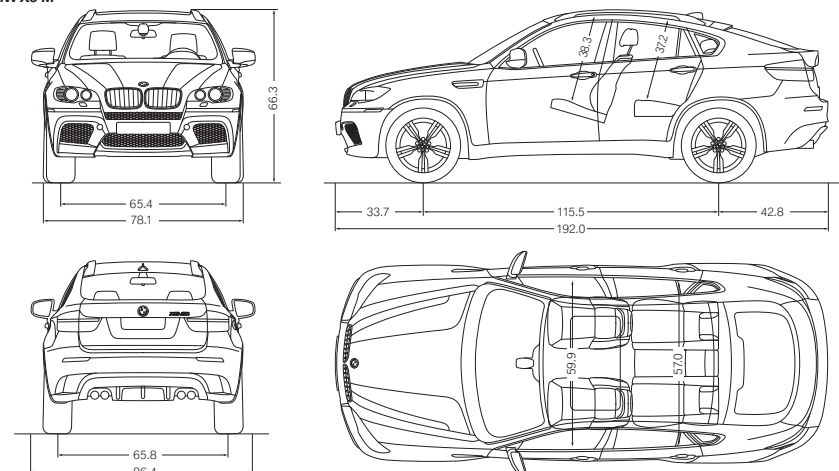
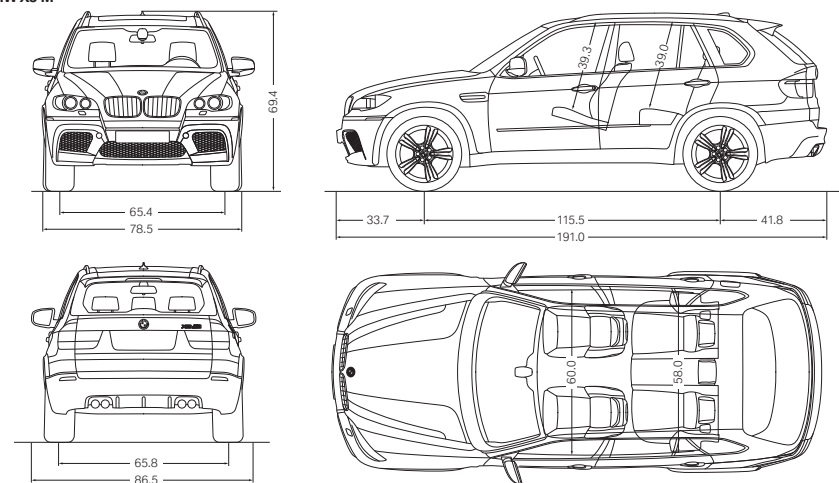
Tire dimensions (run-flat performance) <sup>4</sup>	front	275 / 40	275 / 40
	rear	315 / 35	315 / 35
Wheel dimensions, front / rear – material	standard	20 x 10 / 20 x 11 – light cast alloy	20 x 10 / 20 x 11 – light cast alloy
Brake diameter, front / rear – type	inch	15.6 / 15.2 – ventilated disc	15.6 / 15.2 – ventilated disc

<sup>1</sup> Top speed limited electronically.

<sup>2</sup> BMW AG test results. Actual acceleration results may vary, depending on specification of vehicle; road and environmental conditions; testing procedures and driving style. These results should be used for comparison only and verification should not be attempted on public roads. BMW urges you to obey all posted speed laws and always wear safety belts.

<sup>3</sup> EPA-estimated figures are for comparison purposes only. Your actual mileage will vary, depending on speed, driving habits, trip length and driving conditions; actual mileage may be lower.

<sup>4</sup> Run-flat tires do not come equipped with a spare tire and wheel. Please note: Driving over rough or damaged road surfaces, as well as debris, curbs and other obstacles, can cause serious damage to wheels, tires and suspension parts. This is more likely to occur with low-profile tires, which provide less cushioning between the wheel and the road. Be careful to avoid road hazards and reduce your speed, especially if your vehicle is equipped with low-profile tires. Performance tires are not recommended for driving in ice and snow conditions.

**BMW X6 M**

**BMW X5 M**


All dimensions in the technical drawings are given in inches.

Maximum luggage compartment volumes: BMW X6 M 59.7 cu. ft.; BMW X5 M 75.2 cu. ft.

## CRAFT YOUR OWN BMW – AT [BMWUSA.COM/BYO](http://BMWUSA.COM/BYO).



At BMW, we want you to create your own Ultimate Driving Machine®. That's why BMW offers one of the widest model ranges of any luxury automotive manufacturer. And each BMW model offers its own universe of personalizing possibilities.

It's easy to get the latest information on your favorite BMW model. Simply visit [bmwusa.com](http://bmwusa.com) and click on the BMW model of your choice. Select "**Features & Specs**" to see all the standard features and available options and packages, as well as technical specifications.

Then create the exact BMW model that fulfills your needs by clicking on "**Build Your Own**" – or just visit [bmwusa.com/byo](http://bmwusa.com/byo). Here you'll be able to select from among the many interior and exterior colors and trims, personalizing options and value-added packages. Build a BMW model that reflects your style, then view it in 360° detail. At the press of a button, see payment and financing options, get a same-day quote, download a product brochure and even schedule a test drive. BMW makes it easier than ever to make your ultimate driving dreams come true, at [bmwusa.com](http://bmwusa.com).



## TAKING IT TO THE NEXT LEVEL: BMW M SCHOOL.

M School, located at the BMW Performance Center in Spartanburg, SC, teaches you what high-performance driving is all about. How to slalom. How to drift. How to push an Ultimate Driving Machine® to the limits. With confidence. You'll learn under the expert guidance of professional driving instructors, while having the time of your life. Get your fill of aggressive handling techniques and advanced braking skills in your choice of One-Day or Two-Day M Schools.

Once you graduate, treat yourself to two full days of Advanced M School. Our professional instructors will teach you things in BMWs that seem to defy physics. We'll take you to Virginia International Raceway, where you'll corner, brake, accelerate and then do it all again. In BMW M Cars. Learn highly technical driving techniques and how to control power. Expect lots of speed. It's intense. It's Advanced M – and it's not for everyone.

For more information on M School and the BMW Performance Center, visit [bmwusa.com/performancecenter](http://bmwusa.com/performancecenter) or call 1-888-345-4BMW(4269).



We believe that a premium ownership experience should feature performance and luxury, as well as safety and convenience. We believe you should be able to drive a BMW to its potential, while enjoying peace of mind and reduced cost of ownership. That's the idea behind **BMW Ultimate Service**<sup>®</sup>; a suite of comprehensive programs and services that are included in every new BMW vehicle.

## GOING BEYOND ENGINEERING: THE HIGH-PERFORMANCE BMW OWNERSHIP EXPERIENCE.

**BMW Maintenance Program** is one of the most comprehensive maintenance programs in its class. We cover all factory-recommended maintenance during the New Vehicle/SAV Limited Warranty coverage period. This includes scheduled oil services and inspections. Also covered is the replacement of items that are subject to normal wear and tear, such as brake pads, wiper blade inserts and engine drive belts.<sup>2</sup> And, thanks to BMW's advanced engineering, most owners enjoy a well-balanced maintenance schedule, with flexible routine service intervals that can save you time. When your vehicle requires attention, your authorized BMW center ensures that it receives only genuine BMW parts – your assurance of exacting quality standards.

For more details on BMW Ultimate Service and the BMW Maintenance Program, visit your authorized BMW center or log on to [bmwusa.com/ultimateservice](http://bmwusa.com/ultimateservice).

**BMW Assist Safety Plan**<sup>3</sup> is a four-year program that lets you enjoy peace of mind knowing that a friendly response specialist is there to help you, 24/7, at just the push of a button. The Safety Plan includes Automatic Collision Notification, Emergency Request, Enhanced Roadside Assistance, Door Unlock, Stolen Vehicle Recovery and Customer Relations. Included in the BMW Assist Safety Plan, MyInfo allows you to send business locations and street addresses with their associated phone numbers from the Google Maps™ website directly to your BMW. The destination can be sent to your Navigation system for turn-by-turn directions. With the BMW Navigation system and your mobile phone linked to your BMW via Bluetooth<sup>®</sup> technology, BMW's Mobile Office feature<sup>4</sup> transfers text messages and emails to your iDrive Display screen and reads them aloud to you. A Calendar and To-do List can also appear on your Display screen while en route. Running late? Click on the phone number in the Calendar to call your appointment. For a list of tested mobile phones, visit [bmwusa.com/bluetooth](http://bmwusa.com/bluetooth).

BMW Ultimate Service starts with the **New Vehicle/SAV Limited Warranty**,<sup>1</sup> providing you with coverage for the first four years or 50,000 miles, whichever comes first. Additionally, you have 12-year, unlimited-mileage warranty protection against corrosion and rust perforation!<sup>1</sup> The **BMW Maintenance Program**<sup>2</sup> and **BMW Assist**,<sup>3,4,5</sup> as well as **BMW Roadside Assistance** come standard.

For the ultimate in coverage, add the optional **BMW Assist Convenience Plan**.<sup>5</sup> You'll enjoy unlimited access to personalized Directions, Traffic and Weather reports, as well as our Concierge feature, which can send a destination address and phone number, such as a restaurant or hotel, right to your BMW. You can make up to four operator-assisted calls per year with Critical Calling if your cell phone is not available, or if its battery is discharged. BMW Online allows access to up-to-date fuel prices and the latest weather forecasts, as well as Bloomberg's stock indices and the powerful reach of the Google Maps database – delivered to the iDrive Display right inside your vehicle.

BMW's unique **TeleService**, included in the BMW Assist Safety Plan, continually monitors specific parts that are subject to wear and tear – including the engine oil, micro-filter, spark plugs, brake linings and various fluids – as well as services that require attention at regular intervals, such as vehicle service inspections. This data is automatically transmitted to your authorized BMW center, which will then call you

to schedule a service appointment. You don't have to keep track of when your vehicle requires routine maintenance. An added benefit: any needed maintenance service parts will already be on hand, so your BMW is serviced and returned to you as quickly as possible. And because they use only Original BMW Parts, you can rely on expert fit and long-lasting BMW quality. For more details on TeleService, visit [bmwassist.com](http://bmwassist.com).

**BMW Roadside Assistance** is provided free of charge for the first four years – with no mileage limit. Call **1-800-332-4BMW (4269)** for friendly on-the-road help, 24/7, anywhere in the United States, Canada and Puerto Rico. This includes everything from flat-tire changes, emergency gasoline and lock-out service, to towing, alternative transportation and even trip-interruption benefits. This service also provides valuable trip-routing advice.



**BMW Virtual Center.** If you get the sudden urge to shop for a BMW but your authorized BMW center is closed, there's good news – the BMW Virtual Center is open 24 hours a day! Log on to [bmwusa.com/bo](http://bmwusa.com/bo), and choose the model that interests you. Configure the BMW of your dreams, and see what the monthly payments would be. You can even send the specifications to your authorized BMW center, apply for financing, or request a test drive – all online!

**BMW Financial Services.** Arranging to buy or lease a BMW is easier than you may think. Your authorized BMW center offers leasing and financing to suit your personal needs through BMW Financial Services.<sup>6</sup> Start the process at our website, where you can build your "dream vehicle," get an estimate on a monthly lease or financing payment, submit a credit application to BMW Financial Services – and get approval – all online!<sup>6</sup> To find out how BMW Financial Services can help put you behind the wheel of your favorite BMW model, log on to [bmwusa.com/fs](http://bmwusa.com/fs) or call, toll-free, **1-800-578-5000**.

**BMW Magazine.** A fascinating view of the latest events and products in the world of BMW, including travel reviews, personality profiles, and the latest BMW technologies. Sent to new owners and lessees several times a year, you can also read articles from **BMW Magazine** on the BMW website at [bmwusa.com](http://bmwusa.com) under the "Media Gallery & Library" heading, found in the "Experience" section.

**BMW Welt:** The **BMW Welt** ("BMW World") delivery and brand-experience center in Munich is bold proof of BMW's passion for design. When you take advantage of the BMW European Delivery Program,<sup>7</sup> this is where you will meet your new BMW – in a personalized process that is highly dramatic and totally unforgettable. (You might also realize substantial savings that just may pay for your trip.) While you're there, marvel at the historic BMWs in the Museum; learn about our engineers' newest innovations in the Technology and Design Atelier; and take a tour of the plant to experience firsthand the state-of-the-art methods used to create a BMW. Then comes the unique experience of driving your new BMW on the roads it was designed for. To learn more, visit [bmwusa.com/europeandelivery](http://bmwusa.com/europeandelivery).

<sup>1</sup> See your authorized BMW or BMW SAV center for details on these limited warranties.

<sup>2</sup> The BMW Maintenance Program covers factory-recommended maintenance services as determined by the Service Interval Indicator for all new eligible MY 2004 and later BMW vehicles. Specific additional items that need replacement due to normal wear and tear are also covered. The maintenance coverage period is for the first 4 years or 50,000 miles, whichever comes first. Exclusions from coverage include: gasoline, gasoline additives, windshield washer fluid and additives, battery, tires, wheels, wheel alignment and tire balancing. All work must be performed by an authorized BMW center. See the Service and Warranty Information booklet for specific terms, conditions and limitations. Further information can also be obtained from your authorized BMW center.

<sup>3</sup> The BMW Assist and Bluetooth Hands-free Calling system with 4 years of Safety Plan services is standard in the BMW X5 M and BMW X6 M. In order to receive BMW Assist services, a subscriber agreement must be completed and transferred to the BMW Assist Response Center. GPS and underlying wireless services must be available and functioning; vehicle ignition must be turned on (except for Door Unlock and Stolen Vehicle Recovery), battery charged and connected and vehicle's electrical system operational; services may be limited to certain geographic areas. Call toll-free **1-888-333-6118**, go to [bmwassist.com](http://bmwassist.com), or visit your authorized BMW or BMW SAV center for additional program details. Services are subject to the terms and conditions of your subscriber agreement.

<sup>4</sup> Not all mobile phones are compatible with Mobile Office, and some compatible phones support a limited number of Mobile Office functions. For the complete list of compatible mobile phones and the details regarding which Mobile Office functions are supported by each phone, please visit [bmwusa.com/bluetooth](http://bmwusa.com/bluetooth).

<sup>5</sup> Requires BMW Assist Safety Plan subscription. Services are subject to the terms and conditions of your subscriber agreement. Please go to [bmwassist.com](http://bmwassist.com) for additional details on the optional Convenience Plan.

<sup>6</sup> Subject to credit approval and other terms and conditions.

<sup>7</sup> Not all models available for BMW European Delivery Program. Please go to [bmwusa.com](http://bmwusa.com) or visit your authorized BMW center for details.



## THE MOST EXCITING PLACE IN AMERICA TO DRIVE A BMW M VEHICLE.

### The BMW Performance Center in Spartanburg, SC.

Just beyond the foothills of the Carolinas' Blue Ridge Mountains lies the \$12 million BMW Performance Center. This sprawling, modern complex houses the world-famous BMW Performance Driving School, as well as the Zentrum Museum, BMW Boutique, BMW Delivery Center, and a Corporate Conference Center. Nearby is BMW's only manufacturing facility in the U.S., where models, such as the SAV, are built for export worldwide. It's a unique place where BMW enthusiasts can spend days – or, in the surrounding area, an entire vacation.

### BMW Performance Driving School.

Whether you've been driving for decades or just got your learner's permit, we can help take your driving skills to the next level. Behind the wheel of our new BMWs and under the expert guidance of professional driving instructors, you'll hone your driving skills on a versatile driving course – 1.7 miles of asphalt that can be configured in a multitude of ways. In One- and Two-Day Schools you can tackle the skid pad, slalom course and water walls. The BMW Performance Driving School is about control and pushing a BMW to its limits – and yours.

### BMW Performance Center Delivery.

You'll always remember the fun of taking delivery of your new BMW – with BMW Performance Center Delivery. After enjoying dinner and an overnight stay at a first-class hotel, we'll take you and your companion to the Performance Center where a Product Specialist will give you an in-depth introduction to your new BMW. Then at the Performance Driving School, you'll get tips from a professional driving instructor as you explore the dynamic capabilities of a similar model. It's exciting, it's enlightening – and it's all compliments of BMW with your new vehicle.

To learn more about the BMW Performance Center, call 1-888-345-4269 or visit [bmwusa.com/performancecenter](http://bmwusa.com/performancecenter).

More about BMW

bmwusa.com  
1-800-334-4BMW



The Ultimate  
Driving Machine®

## BMW and the environment.

BMW is a strong proponent of the environment and social responsibility. We launched BMW EfficientDynamics back in 2000 – the philosophy of providing greater power with increased efficiency and fewer emissions. This has resulted in significant benefits today – for our customers, the climate and the environment.

That year, ecological sustainability was also declared one of BMW's core strategic principles; it is now firmly anchored in our entire production chain. It starts with the development of fuel-saving and alternative vehicle concepts, continues with environmentally friendly production processes, and ends with innovative recycling methods. This effort has been recognized worldwide; in 1999, BMW AG – the parent company of BMW of North America and BMW Manufacturing Co. in Spartanburg, SC – was the first automotive company to be represented on the Dow Jones Sustainability Group Index. It has remained on the Index ever since; moreover, since 2005, BMW has been voted the world's most sustainable automobile manufacturer. At BMW, we strive for and achieve high performance in all we do.

U.S. Distributor: BMW of North America, LLC, Woodcliff Lake, NJ 07677. All illustrations and specifications contained in this brochure are based on the latest product information available at the time of printing. BMW reserves the right to make changes at any time, without notice, in colors, materials, equipment, specifications and models. BMW may, subject to legal requirements, determine the Model Year designation of its vehicles. The Model Year designation on any particular model may be longer or shorter than 12 months. Some vehicles pictured may contain non-U.S. equipment. Some models may be shown with optional equipment. While BMW NA makes all reasonable efforts to provide accurate information in this brochure, there is no guarantee or warranty of accuracy. Furthermore, we do not assume any liability for the accuracy or completeness of information presented. This brochure shall not be used or relied upon as a substitute for information that is available from your BMW center. Further information can be obtained from your authorized BMW center or [bmwusa.com](http://bmwusa.com).

©2011 BMW of North America, LLC. Not to be reproduced wholly or in part without written permission of BMW NA. The BMW name, logo, model names, Sports Activity Vehicle, Sports Activity Coupe and SAV are registered trademarks.

The Bluetooth word mark and logos are owned by the Bluetooth SIG, Inc. and any use of such marks by BMW is under license. Other trademarks and trade names are the property of their respective owners.

BMW recommends  **EDGE**

