



2010 BMW X5
Sports Activity
Vehicle®

X5 xDrive30i
X5 xDrive35d
X5 xDrive48i



The Ultimate
Driving Machine®

THE BMW X5.
TAKE COMMAND.

Contents

2010 BMW X5 Sports Activity Vehicle®

02 | 15 Exterior

16 | 19 Interior

20 | 21 Features | Equipment

Engines | Technology | Safety

22 | 23 BMW EfficientDynamics

24 | 27 Engines | Transmission

28 | 29 Adaptive Drive | xDrive | Dynamic Stability Control

30 | 31 Safety features | Head-up Display

32 | 33 BMW ConnectedDrive

Equipment

34 | 37 Paints | Upholsteries | Interior trims | Combinations

38 | 39 Selection examples

40 | 53 Standard and Optional equipment | Equipment packages

54 | 55 Standard safety features and technology illustrations

56 | 65 Equipment listings | Technical data | BMW Accessories

66 | 67 BMW Services

At BMW, we believe that ideas are everything.

Because we are an independent company, we have the freedom to make sure that great ideas live on to become Ultimate Driving Machines.® And driving enthusiasts notice.

If you want a vehicle that is both thrilling and reliable, with ample performance and safety features, look no farther than the 2010 X5. It's agile enough for handling winding mountain roads, and elegant enough for a night out on the town. Whether it's commuting or escaping away for the weekend, the BMW X5 gets you there with irresistible style and invigorating performance. Now that's definitely taking the road less traveled. bmwusa.com



BMW X5 xDrive48i



X5 xDrive48i shown with the following equipment:

Engine: 4.8-liter V-8
Max output: 350 horsepower @ 6300 rpm
Wheels: 20" Y Spoke (Style 214) light alloy
Exterior color: Space Gray Metallic
Upholstery: Sand Beige Nevada Leather
Interior trim: Dark Burl Walnut Wood

For more information on paints, upholsteries and interior trims see pages 34-37.

A reflection of driving joy.
The BMW X5.



BMW EfficientDynamics
Less emissions. More driving pleasure. 



The BMW X5.
Capable of everything. Except standing still.

Commanding performance. Refined, eye-catching style. And now, the quick acceleration and remarkable fuel efficiency of BMW Advanced Diesel with BluePerformance.¹ Factor in practical versatility, nimble handling, and transportation for up to seven people,¹ and the BMW X5 Sports Activity Vehicle[®] stands unrivaled as one of the most capable vehicles on the road. That's because the people who designed it—our engineers—are as active and ambitious as you are. Which means they created a vehicle that does everything from picking up groceries to outpacing sports coupes on the racetrack. The BMW X5 Sports Activity Vehicle's combination of athletic poise, functional space, and handcrafted luxury make it the obvious choice for a high-performance, all-wheel-drive vehicle that can do it all.

¹With optional third-row seating for two.

The 2010 BMW X5.
Equal parts chore-runner and track-racer.





If you think the scenery is stirring,
wait until you get behind the wheel.

The 2010 BMW X5 combines the sharp handling of a performance car with the surefooted grip and versatility of an all-wheel-drive Sports Activity Vehicle. Strikingly designed with an assertive face and sleek, aerodynamic body, the exterior impresses all who see it. Inner beauty comes from the long wheelbase that enhances ride quality, and a wide cabin that offers luxurious space for passengers and cargo alike. Add a low coefficient of drag due to the X5's streamlined dimensions, and fuel efficiency is maximized while noise is reduced. Now every drive is an experience to be savored.



There are several secrets behind the X5's unflinching performance. There's the double-wishbone front suspension that delivers quick agility and rock-solid wheel control, even on the most demanding of roads. There's xDrive all-wheel drive, combined with Dynamic Stability Control to optimize handling and traction. And for the utmost agility and responsiveness, Active Steering adjusts the steering ratio based on vehicle speed: more direct at low to medium speeds, and more stable at highway speeds. And for those drivers who demand the utmost in control and comfort, BMW offers Adaptive Drive, an inspired combination of Active Roll Stabilization and Electronic Damping Control that keeps the X5 level in even the tightest of turns and offers exceptional ride cushioning on virtually any road surface.


For details on the availability of standard and optional features, please refer to the **Standard equipment** | **Optional equipment** charts at the back of this brochure.

Whether it's through trees or traffic,
the X5's performance is confident and composed.

You never know what the road will throw at you. Whether it's gravel, rough surfaces, steep climbs or dizzying downhills, the BMW X5 SAV[®] is built to handle it all. With ample power distribution of 40% in the front axle and 60% in the rear, there's balanced handling. And with BMW's xDrive all-wheel-drive system, power is delivered smoothly and continuously between both axles, depending on which has the best available traction. Uphill climbs are a breeze, thanks to powerful engines that electronically pace themselves based on speed, incline, load and even altitude, to maximize power and efficiency. And by pressing the **Hill Descent Control** button, which brings the X5 to a steady crawl without having to touch the brakes, even the steepest descents are easy to tackle. On gentle downgrades, **Dynamic Cruise Control** can automatically control the brakes to maintain a constant speed. On longer descents, **Brake Fade Compensation**—a function of Dynamic Stability Control (DSC)—keeps brake pedal action even, so there is no increase in brake pressure required. DSC also includes handy features like **Brake Drying**, which periodically brings the brake pads into contact with the rotors just enough to eliminate accumulated moisture and help dry them when driving in wet conditions. Even flat tires are no longer a hassle, thanks to run-flat tires¹ that can travel anywhere from 30 to 150 miles² at speeds of up to 50 mph—included as standard on every X5. With features like those, peace of mind is yours on every drive.

¹Run-flat tires do not come with a spare tire and wheel. A space-saver spare wheel and tire are available as an option.

²Distance depends on the number of passengers and load weight of articles being transported. Please see your X5 SAV Owner's Manual for more information detailing allotted miles to travel and weight load rules.

A silver BMW X5 SAV is shown from a side profile, driving on a paved road that curves through a rugged, rocky landscape. The car is in motion, with a slight blur on the wheels and background, suggesting speed. The terrain is hilly and rocky, with sparse vegetation. The sky is clear and blue. The overall scene conveys a sense of adventure and off-road capability.

The X5 has a controlling influence on the road.



Designed for those who need their space.

Heading out for a ski trip? Need to haul some mountain bikes? Grocery shopping? Whatever your task, the BMW X5's spacious cargo area with 75 cubic feet of usable space is ideal. This roomy stowage area lets you add two third row seats. The Premium Package also adds floor tracks in the cargo area for securing luggage or larger items. And by attaching a BMW accessory roof carrier system to the integrated roof rack, you can haul oversize gear easily and safely. The BMW X5 — versatility in action.

For details on the availability of standard and optional features, please refer to the **Standard equipment** | **Optional equipment** charts at the back of this brochure.



Command central for road-dominating performance.

The cockpit of the X5 is stylish. Sophisticated. Comfortable. And ready to show you the joys of the open road. A raised seating position gives you increased visibility of your surroundings. Inside, the view is equally as pleasing, with sleek seats, dash and doors adorned with expertly crafted materials. The instrument panel is easy to view at a glance for making strategic, split-second driving decisions. Wondering if anything's behind you while backing up? The Technology Package gives you the full picture, with Park Distance Control and a rear-view camera with Top View; it also includes a Navigation system with Real Time Traffic Information, as well as Voice Activation. The iDrive system,

included as standard, provides six convenient, programmable memory keys for setting favorite AM/FM radio stations, phone numbers and Navigation system locations (if so equipped), and more. HD Radio™ lets you receive free, digital broadcasts with CD-quality sound, "multi-cast" FM stations, and data information.¹

¹ For more information on HD Radio receivers, and to find HD Radio AM/FM stations near you, visit HDRadio.com.

For details on the availability of standard and optional features, please refer to the **Standard equipment** | **Optional equipment** charts at the back of this brochure.



Shown with optional Rear Climate Package and optional Rear-seat entertainment system.

Customize your interior.
Maximize your enjoyment.



When it comes to interior space, the sky's the limit.

With its spacious interior, the X5 offers total luxury and comfort for up to seven occupants.¹ Elegant design meets artisan craftsmanship at every turn, with luxury and convenience features to make every drive a satisfying experience. The X5 can also be configured to your individual driving preferences. For instance, sitting in the cockpit becomes a relaxing indulgence with the Active Ventilated Seat Package, which offers 20-way multi-contour front seats with warming or cooling ventilation, and even subtle massage action in the driver's seat. Nappa or Nevada Leather upholstery offers a sumptuous touch, while four-zone automatic climate control adds individual ventilation ducts and temperature controls for left and right occupants, front and rear.

A DVD system with a fold-down 8-inch color screen keeps everyone in back entertained. And with the views available from the standard Panoramic moonroof with two oversize glass panels that slide and tilt, your drive is made even more heavenly.

¹ With optional third-row seating for two; X5 xDrive30i and X5 xDrive35d require optional leather upholstery or Premium Package.

For details on the availability of standard and optional features, please refer to the Standard equipment | Optional equipment charts at the back of this brochure.



Exquisite craftsmanship, down to the last unseen detail.

Wherever you look, you'll find the quality of BMW craftsmanship throughout the cabin. It's apparent in the expertly worked stitching of the upholstery, the elegant finish of the fine wood trim, even in the plush carpeting. You can also find it in the solid, hushed sound of a closing door, and in the satisfying feel and ease of operation designed into every control button and knob.

This unwavering attention to detail is what raises the interior of every BMW X5 to something out of the ordinary. Equally as important, it's also the level of quality of what you cannot see or feel such as the sophisticated safety systems that are primed and ready to spring into action exactly

when and where they are needed. There are driving-assistance technologies that help you maintain control of the X5 in the most challenging road and traffic conditions. And BMW Ultimate Service™ helps maintain the proper operation of your X5, so you can enjoy everything it has to offer for years. Trust BMW's attention to detail to give you pleasure in what you can see and peace of mind for what you can't.

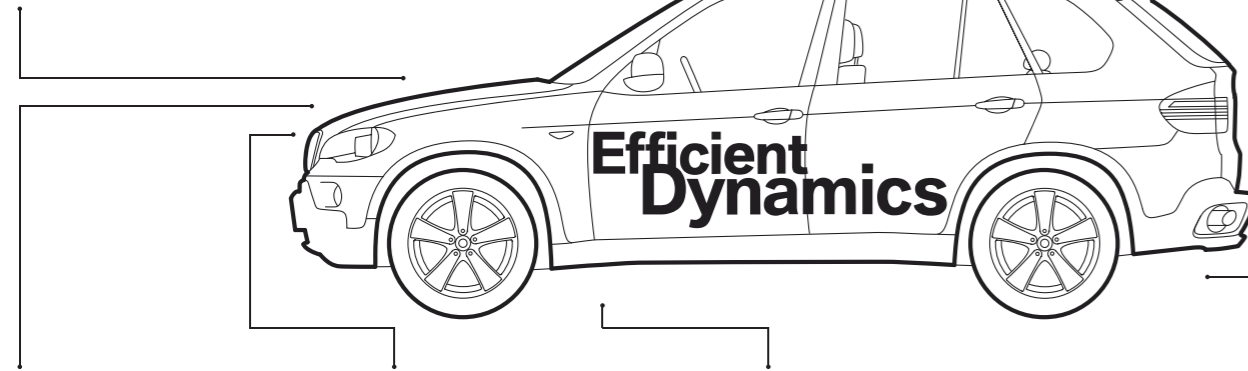
For details on the availability of standard and optional features, please refer to the Standard equipment | Optional equipment charts at the back of this brochure.

This is how much has gone in.

At BMW, we create dynamic vehicles that thrill you with quick acceleration, predictable handling and unshakable control. We are also busy finding ways to sustain this level of performance while incorporating innovative fuels and technologies to help preserve the environment. This is what we refer to as EfficientDynamics. This goal has led to the visionary CleanEnergy hydrogen-powered engine, which is currently used in the BMW Hydrogen 7 Sedan. BMW Advanced Diesel with BluePerformance, which offers diesel power with quick acceleration, increased fuel efficiency and reduced emissions, was introduced to the U.S. in select models in 2009, including the X5 xDrive35d. In fact, every BMW on the road today comes standard with technology that boosts performance while simultaneously reducing fuel consumption and CO₂ emissions.

Advanced Diesel with BluePerformance

The X5 xDrive35d benefits from the massive power and extraordinary efficiency of BMW's Advanced Diesel engine, while meeting the emissions standards of all 50 states, thanks to its BluePerformance technology.



Aerodynamics

The more smoothly that air flows over a vehicle, the more efficiently it can operate. All BMWs are designed for a low coefficient of aerodynamic drag, which translates into quicker acceleration, more stable handling, quieter operation and greater fuel efficiency. A BMW's integrated front spoilers reduce the amount of air flowing underneath, minimizing front-end lift. This allows a BMW to hug the road at higher speeds for excellent stability.

Valvetronic

Instead of using a traditional throttle, Valvetronic technology in the X5 xDrive30i and X5 xDrive48i lets the engine breathe more easily by varying the lift height of the valves to regulate air intake. The result: improved cold starts, smoother running, and a significant drop in fuel consumption. Using revolutionary technology such as this, BMW has improved its overall average fuel economy more than any other manufacturer.

Double-VANOS

VANOS is BMW's valve timing system that can steplessly vary the points in the combustion cycle when valves open and close. Double-VANOS refers to the fact that it operates on both the intake and exhaust camshafts. Electronically controlled in response to engine speed, load and temperature, VANOS reduces emissions, and enhances low- to medium-speed torque, as well as fuel efficiency.

Efficient automatic transmission

A highly efficient 6-speed STEPTRONIC automatic transmission with Adaptive Transmission Control and Sport mode enhances performance, comfort and fuel efficiency.

And this is what comes out.

Thanks to innovative features of EfficientDynamics, BMW has been able to significantly reduce CO₂ emissions in many models. But that's just for starters. We're carrying on our research with EfficientDynamics in the quest to bring you more driving pleasure and less emissions.



Introducing three engines with power that always empowers.

Outstanding performance is yours to unleash with a choice of three vastly different engine platforms. In addition to a potent V-8, there are two inline sixes: one is gasoline-powered; the other, BMW's Advanced Diesel with BluePerformance technology.

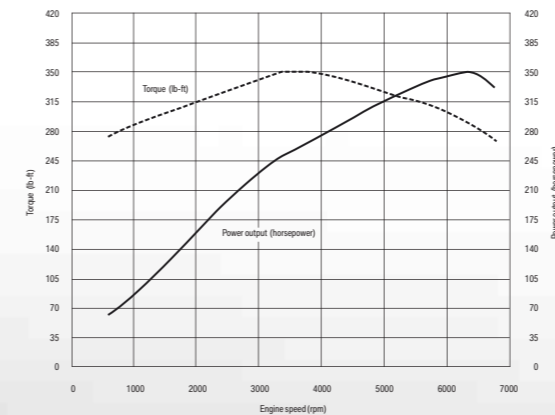
In the gasoline-powered engines—a V-8 in the X5 xDrive48i, and an inline six in the X5 xDrive30i—BMW's revolutionary Valvetronic electronic valve control system uses variable valve lift to let the engines breathe more easily, allowing both to maintain optimum fuel efficiency. And no matter what type of driving you are doing—highway cruising, hauling goods, or hugging a winding mountain curve—BMW's Double-VANOS technology selects the best intake and exhaust valve timings to keep everything running smoothly, with lightning-quick acceleration on command and instant power delivery.

In the X5 xDrive48i, every drive becomes a rush of exhilaration. With its 4.8-liter V-8 that packs 350 horses and 350 lb-ft of torque, you'll rocket forward from 0-60 in just 6.4 seconds.¹ The X5 xDrive30i also provides stirring performance, using BMW's lightweight composite magnesium/aluminum crankcase. With a generous 260 horses and 225 lb-ft of torque, this efficient powerplant smoothly propels the X5 xDrive30i to 60 mph in 7.8 seconds.¹

A 6-speed STEPTRONIC automatic transmission gives all three models effortless acceleration. Tailored specifically to the torque of each engine, its capabilities are evident in the X5's smooth, fuel-efficient cruising at low engine speeds, and responsive gear shifts during sporty driving maneuvers. Every gear change is fluid and quickly achieved at all times.

It is performance like this that makes BMW such a desirable marque. Whichever one you choose, these magnificently designed engines give you the power to make your driving dreams come true.

¹BMW AG test results. BMW urges you to obey all posted speed laws and always wear safety belts.



Portrait of an engineering masterpiece: the 4.8-liter V-8 engine produces 350 horsepower at 6300 rpm, and quickly develops 350 lb-ft of torque throughout the 3400 - 3800 rpm range. With such a broad range of powerful torque, you can enjoy smooth, robust acceleration in any gear, at any speed.

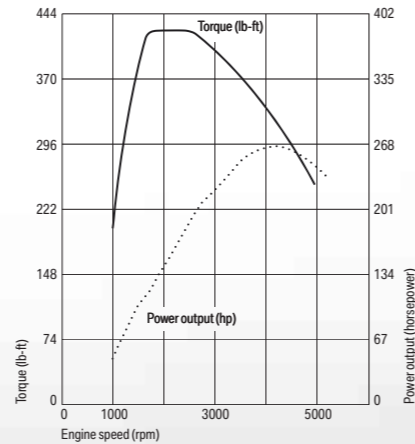
The six-cylinder Advanced Diesel engine with BluePerformance technology: a powerful argument for BMW EfficientDynamics.

Anyone can make a more powerful engine – but trust BMW to make a more powerful engine that is also more fuel efficient. By adhering to the principles of EfficientDynamics, BMW is crafting some of the world's most innovative powerplants that deliver maximum driving pleasure with minimum fuel consumption and emissions.

The X5 xDrive35d features BMW's Advanced Diesel engine with BluePerformance. This 265-hp engine incorporates the same innovations used in the BMW 118d that was awarded the title 2008 World Green Car. A new breed of diesel power, it's quiet and smooth-running. Environmentally friendly, too, thanks to BMW's BluePerformance. This technology uses Diesel Exhaust Fluid and a diesel particulates filter to turn the nitric oxides in the exhaust gas into environmentally compatible nitrogen and water vapor. As a result, BMW Advanced Diesel engines meet the emissions standards in all 50 states.

BMW Advanced Diesel engines are also highly fuel efficient. Employing ultra-low sulfur diesel (ULSD) fuel and BMW's precise fuel injection technology, the X5 xDrive35d's fuel economy is estimated at 19 mpg city, 26 highway. And while many new diesel engines also offer efficiency and low emissions, BMW Advanced Diesel engines set the standard for torque and pulling power. The X5 xDrive35d inline six-cylinder engine delivers maximum torque that's worthy of a V-8: 425 lb-ft at 1750 through 2250 rpm. Its engine is quick off the mark, accelerating from 0 to 60 mph in just 6.9 seconds.¹ Only one thing is more impressive: how the initial kick of acceleration is transformed into sheer driving pleasure.

¹ BMW AG test results. BMW urges you to obey all posted speed laws and always wear safety belts.



The X5 xDrive35d accelerates with force from the first tap of the accelerator pedal, and stays strong, for ready power whenever you need it.





Adaptive Drive: Where heightened control meets enhanced comfort.

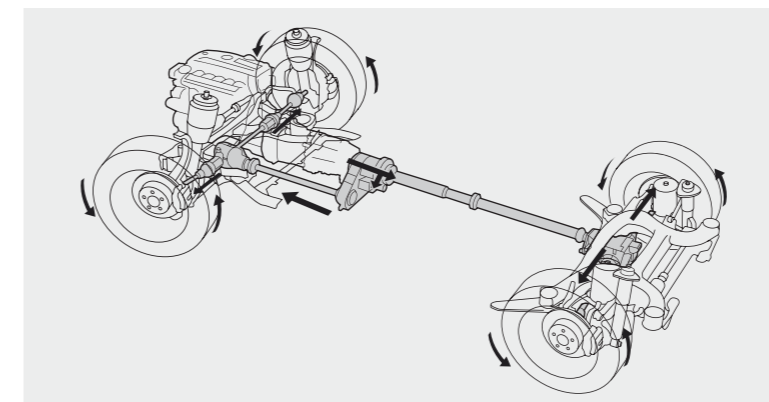
The goal of BMW engineers is always to combine sporty handling with optimum ride comfort. That's why, when a BMW driver encounters a winding road, it's invariably with a grin. This balanced performance is taken to an even higher level in X5 models equipped with Adaptive Drive. This feature includes performance-elevating Active Roll Stabilization (ARS) and ride-enhancing Electronic Damping Control (EDC).

BMW's Active Roll Stabilization is a state-of-the-art system that adjusts the vehicle's handling characteristics. When cornering, the weight of the vehicle and its occupants is shifted away from the turn. ARS uses actuators in the middle of the specially designed, two-piece anti-roll bars to actively twist the left and right portions of the bar in opposite directions, generating a stronger resistance to body roll in a more tailored fashion, depending upon the amount of lateral acceleration created during cornering. This helps keep the vehicle level, providing maximum stability and exciting agility. During changes in vehicle speed, load, or road and driving conditions, EDC instantly and continuously adjusts the shock absorbers from the softest to the firmest settings. The result is exceptional riding comfort and fluid handling at all times.



For details on the availability of standard and optional features, please refer to the Standard equipment | Optional equipment charts at the back of this brochure.

xDrive intelligent all-wheel drive lets you control the road. Not the other way around.



Based on feedback from the gas pedal and DSC sensors, xDrive all-wheel drive continuously modulates power distribution between the two axles to counter wheelspin.

BMW's xDrive all-wheel-drive system takes traction control to new heights, with superb agility and reliability. On smooth, dry roads, the X5 feels like a rear-wheel-drive vehicle. But hit a wet uphill curve, and even before wheelspin can occur, the xDrive system can send more torque to the front axle to achieve optimal stability. If one wheel on an axle spins faster than the other, the brakes automatically engage to bring all wheels back in sync. xDrive is always shifting drive power, reducing over- or understeer, enhancing agility, and ensuring the best possible traction.

Dynamic Stability Control (DSC) works with xDrive, monitoring factors such as vehicle speed, steering-wheel angle, body rotation and more, to determine where you want the X5 to go and where it is actually headed. If it detects over- or understeer, DSC can automatically modulate ABS brakes at all four wheels, independently, while reducing engine power. This helps maintain control and vehicle stability, even on poor road surfaces. DSC is further enhanced with the integration of four braking features: **Brake Stand-by**, which pre-tenses the brake calipers when you suddenly remove your foot from the accelerator pedal; **Brake Drying**, which lightly dries the brakes when rain sensors detect moisture; **Start-off Assistant**, which helps prevent your vehicle from rolling backwards when stopped on a hill; and **Brake Fade Compensation**, which lets you use the same amount of brake pressure, even when brakes heat up from repeated or heavy use.



Two more reasons why the X5 is a smart choice: Active safety features. Passive safety features.

In addition to xDrive all-wheel drive, the 2010 X5 is packed with numerous active safety features and systems designed to help you maintain traction, stability and remain in confident control. For example, the X5 is designed with a low center of gravity to reduce the possibility of a rollover. Even so, BMW has engineered into the X5 a sensor that automatically deploys airbags and safety-belt pretensioners when it detects a rollover is imminent.

Hill Descent Control (HDC) lets the X5 tackle steep downhill slopes with ease, while it helps stabilize the X5's handling. When you engage HDC, it automatically applies the brakes and slows the engine, keeping your speed constant without riding the brakes. And during normal driving, should you slam on the brakes, the Dynamic Brake Control system applies the maximum available brake power. At the same time, the Adaptive Brake Lights feature automatically activates additional brake light surfaces, increasing your vehicle's visibility and signaling the intensity of your braking action, thereby alerting drivers who follow to slow down quickly.

No matter how nimble a vehicle may be, sometimes an accident cannot be avoided. That's why, like all BMWs, the X5 has been designed with innovative passive safety features to help protect everyone inside in case of a collision. In fact, the 2009 X5 received the TOP SAFETY PICK Award from the respected Insurance Institute for Highway Safety (IIHS) for its performance in three critical tests.¹

BMW's array of advanced safety technologies can be found throughout the vehicle, from the extremely rigid safety cage that routes severe impact force around the passenger cell, to three-point safety belts at all seating positions, to a system that calls for assistance after a severe accident.

BMW's award-winning Head Protection System, the first of its kind in the automotive world, is a unique passive safety feature designed to help protect front and rear passengers. Its sturdy, tubular cushion stays inflated, helping to protect the heads of occupants from injury in situations where there are multiple impacts. Front side-impact airbags also help provide an extra

measure of protection. Driver and front passenger airbags are standard, but here, too, BMW offers distinct advantages. These advanced airbags deploy at differing impact speeds, depending on the severity of the impact and whether or not safety belts are worn.² If a child seat is installed, or if the system detects the occupant is below a certain size, the airbag is designed not to deploy. And if sensors determine the front passenger seat is not occupied, the system is designed not to trigger the airbag, saving the need for repair.

You might not see all of the BMW X5's active and passive safety systems, but you'll rest assured, knowing they stand ready to help protect you and your passengers at all times.

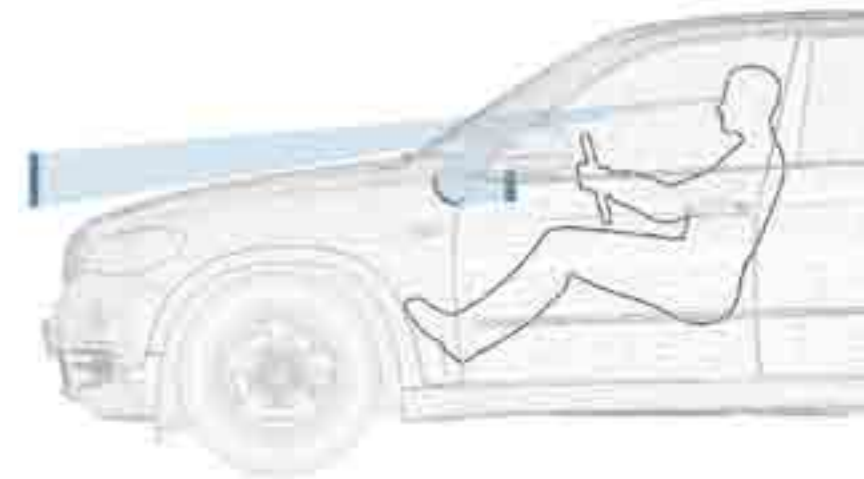
¹ High-Speed Frontal Offset and Side Impact crash tests, as well as Rear Crash Protection/Head Restraints. Vehicles are required to offer stability control in order to receive the TOP SAFETY PICK. Every BMW ever tested by the IIHS has received a top front-impact rating, based on how well its passive safety features performed in helping to protect occupants in a crash.

² Airbags are a supplementary system only. Depending upon the type of accident, none, some or all airbags may deploy. All occupants should always wear safety belts.



See everything at a glance including the road: BMW Head-up Display

Taking your eyes off the road, even if only to quickly check the speedometer, is a distraction. That's why BMW's Head-up Display is designed to give you important driving information at a glance. Projected clearly onto the windshield in the driver's line of sight are important travel data, such as speed, Check Control warnings, directional arrows from the Navigation system, and cruise control information. You can also adjust the display for brightness, height, or turn it off. The display lets you keep both eyes focused on the road, so you can concentrate on traffic and driving while staying informed.



For details on the availability of standard and optional features, please refer to the Standard equipment | Optional equipment charts at the back of this brochure.



Select not only the fastest, but also the most interesting roads to reach your destination.

When an upcoming service need is detected, your BMW automatically transmits all relevant information to your BMW service advisor, who then contacts you to arrange an appointment.

Heading for a traffic jam? **Real Time Traffic Information** lets you know in advance and even recommends an alternative route.

Get into a serious accident? Your BMW automatically calls for help and communicates all relevant information.

All drivers sometimes need to stop and refuel. Let a **BMW Assist** Concierge locate and send the address of your preferred gas station and the best local restaurant to your BMW.

Find many more ways how **BMW Assist** makes every trip you take more enjoyable.

Need an address or telephone number? **BMW Search** uses Google Maps™ to find them, then your Navigation system guides you there.

Two for the road: Navigation and BMW Assist™

When you're far from home or just in the next town it's easy to find your way with confidence and peace of mind with the convenient features and services available on your BMW.

BMW Assist Safety Plan gives you peace of mind knowing that a friendly response specialist is there to help you 24/7, at the touch of a button. Enjoy four years of a wide range of services at no additional charge. The Safety Plan includes Automatic Collision Notification, Emergency Request (SOS), TeleService, Enhanced Roadside Assistance, Door Unlock, Stolen Vehicle Recovery, Customer Relations and MyInfo.



The optional **BMW Assist Convenience Plan** adds personalized Directions, Traffic and Weather reports, BMW Search and Concierge services to not only recommend restaurants and hotels, but then also send the destination address and phone number right to your BMW. You can make up to four operator-assisted calls per year with Critical Calling if your cell phone is not available or its battery is discharged.

MyInfo allows you to send business locations and street addresses to your BMW from your computer. Destinations and phone numbers can be accessed and exported to your Navigation system for immediate route guidance, while you can call the destination with your Bluetooth® linked phone.



BMW Search™ allows online access to up-to-date fuel prices, the latest weather forecasts, Bloomberg stock indices and the powerful reach of the Google Maps™ database delivered on your control display inside your vehicle.



In most large cities, **Real Time Traffic Information** makes you aware of traffic congestion before you encounter it. This feature displays and describes current local traffic information on your control display; in case of congestion, it suggests alternate routes.



BMW is the first automobile manufacturer to offer **BMW Trips**, giving you the opportunity to directly transfer personally planned trips from the Internet to your Navigation system via a USB memory stick. (Delayed availability.)



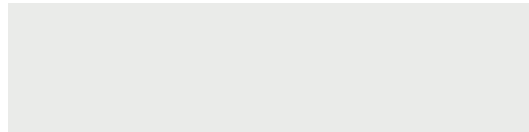
For details on the availability of standard and optional features, please refer to the **Standard equipment** | **Optional equipment** charts at the back of this brochure.

The pages in this section of the brochure show available colors and materials for the BMW X5. Use these samples to compare paint, upholstery, trim colors and combinations. Please note that these samples are representations; they are not exact reproductions. To see the actual colors, visit your local BMW center. They will be happy to show you original samples and assist you with special requests.

bmwusa.com

Paints

300 Alpine White Non-metallic

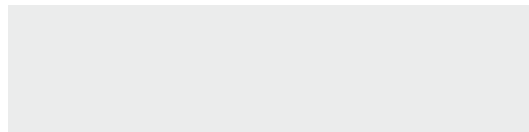


668 Jet Black Non-metallic¹



All paint colors are standard on the X5 xDrive48i, X5 xDrive30i and X5 xDrive35d.

354 Titanium Silver Metallic



A53 Platinum Bronze Metallic¹



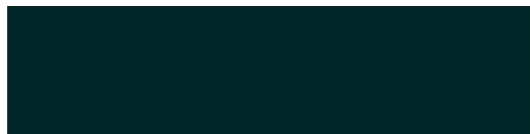
A52 Space Gray Metallic



A70 Mineral Green Metallic¹



A43 Deep Green Metallic¹



A35 Monaco Blue Metallic



475 Black Sapphire Metallic



416 Carbon Black Metallic²



¹ Not available with M Sport Package.
² Requires M Sport Package.
³ Standard in X5 xDrive30i and X5 xDrive35d; not available in X5 xDrive48i.
⁴ Standard in X5 xDrive48i; optional in X5 xDrive30i and X5 xDrive35d and included in Premium Packages.
⁵ Perforated Leather must be ordered with Active Ventilated Seat Package. No-cost option in X5 xDrive48i; in X5 xDrive30i and X5 xDrive35d, available as an option, and as a no-cost option with Premium Packages.
⁶ Optional in all models; requires multi-contour seats.

Upholsteries

KCB4 Sand Beige Leatherette³



KCSW Black Leatherette³



Leather upholstery includes all seating surfaces, headrests, door armrests and front center console armrest. Nappa Leather adds Leather-wrapped dashboard and center console.⁶

LUB4 Sand Beige Nevada Leather⁴



LUD3 Saddle Brown Nevada Leather⁴



LUF1 Tobacco Nevada Leather⁴



LUSW Black Nevada Leather⁴



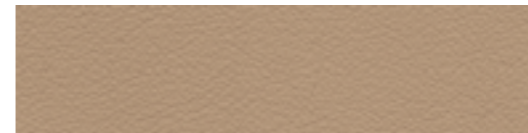
LVB4 Sand Beige Perforated Nevada Leather⁵



LVSW Black Perforated Nevada Leather⁵



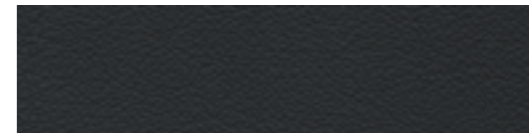
NAB4 Sand Beige Nappa Leather⁶



NAF1 Tobacco Nappa Leather⁶



NASW Black Nappa Leather⁶



Interior trims

4AD Brushed Aluminum¹



4AB Dark Burl Walnut Wood²



4BP Light Poplar Wood³



4AZ Dark Bamboo Wood³



¹No-cost option; requires M Sport Package.
²Standard in all models.
³No-cost option.

Recommended color combinations

Interior colors	Leatherette ¹		Nevada Leather ²				Perforated Nevada Leather ³		Nappa Leather ⁴		
Upholstery colors	Sand Beige	Black	Sand Beige	Saddle Brown	Tobacco	Black	Sand Beige	Black	Sand Beige	Tobacco	Black
Exterior colors											
Non-metallic 300 Alpine White	●	●	●	●	●	●	●	●	●	●	●
Non-metallic 668 Jet Black ⁵	●	●	●	●	●	●	●	●	●	●	●
Metallic 354 Titanium Silver		●		●	●	●		●		●	●
Metallic A53 Platinum Bronze ⁵	●	●	●		●	●	●	●	●	●	●
Metallic A52 Space Gray	●	●	●	●	●	●	●	●	●	●	●
Metallic A70 Mineral Green ⁵	●	●	●	●		●	●	●	●		●
Metallic A43 Deep Green ⁵	●	●	●	●	●	●	●	●	●	●	●
Metallic A35 Monaco Blue	●	●	●	●	●	●	●	●	●	●	●
Metallic 475 Black Sapphire	●	●	●	●	●	●	●	●	●	●	●
Metallic 416 Carbon Black ⁶	●	●	●	●	●	●	●	●	●	●	●

Interior trims											
4AD Brushed Aluminum ⁷	[Image showing 4AD Brushed Aluminum trim]										
4AB Dark Burl Walnut Wood ⁸	[Image showing 4AB Dark Burl Walnut Wood trim]										
4BP Light Poplar Wood ⁹	[Image showing 4BP Light Poplar Wood trim]										
4AZ Dark Bamboo Wood ⁹	[Image showing 4AZ Dark Bamboo Wood trim]										

¹ Standard in X5 xDrive30i and X5 xDrive35d; not available in X5 xDrive48i.
² Standard in X5 xDrive48i; optional in X5 xDrive30i and X5 xDrive35d; included in X5 xDrive30i and X5 xDrive35d Premium Packages.
³ Perforated Leather must be ordered with Active Ventilated Seat Package. No-cost option in X5 xDrive48i; optional in X5 xDrive30i and X5 xDrive35d and no-cost option if Premium Package is ordered.
⁴ Optional in all models; requires multi-contour seats.
⁵ Not available with M Sport Package.
⁶ Requires M Sport Package.
⁷ No-cost option; requires M Sport Package.
⁸ Standard in all models.
⁹ No-cost option.



Shown above: X5 xDrive30i with Sport Activity Package and roof rails.



Shown above: X5 xDrive48i with running boards and roof rails.

Nevada Leather

The play of light and shadow brings out the changing hues of the Platinum Bronze Metallic exterior set off to perfection against the dark drama of a Black Nevada Leather interior and sporty Dark Bamboo Wood trim.

For details on the availability of standard and optional features, please refer to the Standard equipment | Optional equipment charts at the back of this brochure.



Nappa Leather

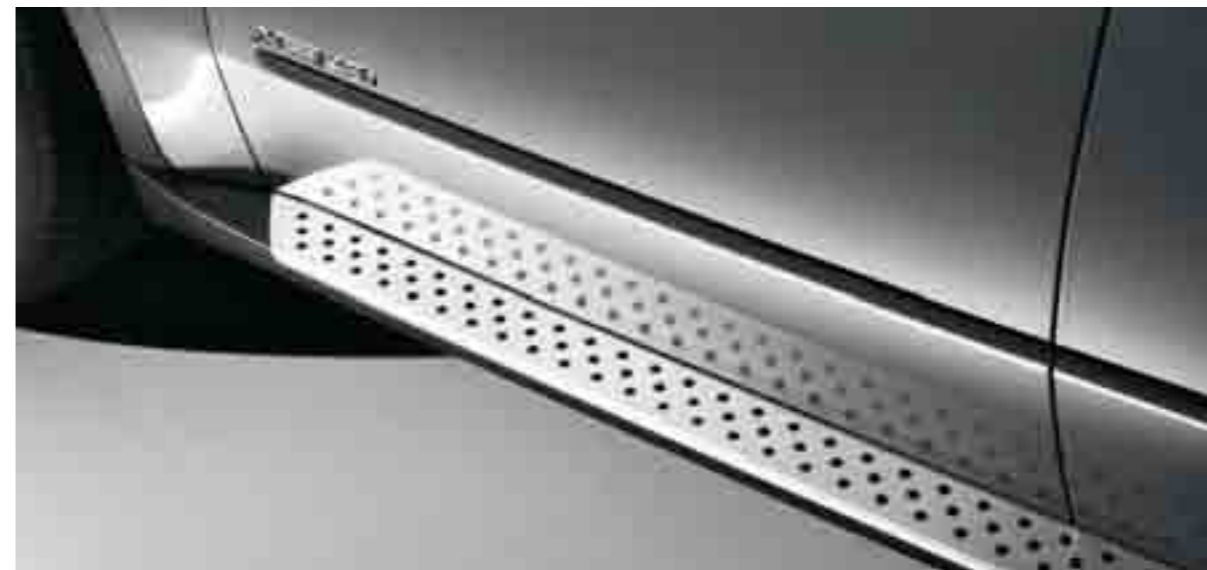
For sheer drama, few combinations can match the supple richness of Nappa Leather upholstery rendered in a striking Sand Beige color, complemented by Light Poplar Wood trim. Combined with a Mineral Green Metallic exterior, it is a memorable sight.

Shown at right: 20-way multi-contour seats.





■ **Xenon Adaptive Headlights** optimize road illumination when the X5 enters a curve or bend, helping to enhance visibility when driving at night. Sensors continuously monitor the angle of the steering wheel to determine the direction in which the X5 is heading. The outer headlights swivel accordingly, up to 15 degrees left or right. **Xenon low- and high-beam headlights** illuminate the road ahead and to the side with brilliant clarity. An auto-leveling feature adjusts for varying passenger and cargo loads. The **Corona headlight-rings** that circle both headlights and high beams also act separately as Daytime Running Lights and parking lights.



□ **Running boards**, designed to add to the X5 s overall visual appeal, make it easy for passengers to enter and exit the X5 with comfort.



■ **Halogen free-form foglights** are cleanly integrated into the front air dam, illuminating the road ahead in bad weather and poor visibility. They also provide another practical feature, **Cornering Lighting**. When the system senses you are making a turn based on your steering angle and speed a reflector mechanism in the foglight housing casts additional lighting up to 90 degrees in the direction of the turn. This enhances visibility and recognition of people and objects.



□ **Roof rails**, cleanly integrated with the X5 s design, provide the foundation for BMW s (accessory) modular roof rack system.



□ **Automatic Tailgate** opens and closes at a touch of a button on the center console, on the remote control, or on the tailgate itself. The height to which the tailgate automatically opens can be adjusted through the iDrive Controller.

■ Standard

□ Optional

Standard equipment | Optional equipment 42 | 43



■ **Star Spoke (Style 210)** 18 x 8.5 light alloy wheels and 255/55 **run-flat¹ all-season tires** are standard on the X5 xDrive30i and X5 xDrive35d.



■ **Star Spoke (Style 209)** 18 x 8.5 light alloy wheels and 255/55 **run-flat¹ all-season tires** are standard on the X5 xDrive48i.



□ **Star Spoke (Style 212)** 19 x 9.0 light alloy wheels and 255/50 **run-flat¹ all-season tires** are included in the X5 xDrive30i and X5 xDrive35d Sport Activity Package.



□ **Y Spoke (Style 211)** 19 x 9.0 light alloy wheels and 255/50 **run-flat¹ all-season tires** are included in the X5 xDrive48i Sport Activity Package.



□ **Y Spoke (Style 214)** 20 x 10.0 front/20 x 11.0 rear light alloy wheels and 275/40 front and 315/35 rear **run-flat¹ performance tires²** are available as an option when ordering the X5 xDrive48i Sport Activity Package. (Not available on X5 xDrive30i and X5 xDrive35d.)

¹Run-flat tires do not come with a spare tire and wheel. A space-saver spare wheel and tire are available as an option.

²Due to low-profile tires, please note: wheels, tires and suspension parts are more susceptible to road hazard and consequential damages. Performance tires not recommended for driving in ice and snow conditions.



■ A three-spoke **leather-wrapped multi-function steering wheel** lets you keep both hands on the wheel while adjusting audio settings, cruise control and the Bluetooth[®] compatible phone.



■ **Dynamic Cruise Control** lets you store and keep to a chosen speed above 20 mph, and automatically applies the brakes downhill. It is activated via the left-hand steering column switch, and deactivated by applying the brakes or via the switch.³

³Cruise control is not a substitute for the driver's own responsibility in adjusting speed and otherwise controlling the vehicle. Due to road, traffic and visibility conditions, the driver must decide whether and how the system is used.



■ Extra-large dual-glass-panel **Panoramic moonroof** lets the sun and stars shine in, whether it is open or closed. Easy-use features include a power slide and lift control, a comfort opening/closing function, a wind deflector to help keep the wind out, and a power sunshade to shield passengers from excessive glare and heat.



□ **Park Distance Control** uses eight sensors – four in the front, four in the rear – to help you judge how close you are to other cars and unseen objects when parking. The warning beeps come faster as the bumper approaches the object, turning into a constant tone when the distance is less than 12 inches.



■ **Auxiliary input port** lets you connect an external audio source, such as an iPod® or MP3 player.

□ **iPod and USB adaptor** lets you scroll through and select the music you want by using the car's radio controls, the multi-function steering wheel buttons or iDrive Controller. Music titles are displayed on the radio or Navigation screen.



□ **Rear-seat entertainment** system lets passengers in the rear cabin watch DVDs or listen to their choice of CDs through headphone jacks. The system features a fold-down 8-inch color screen and headphone jacks; it can be controlled via a wireless remote control or manually by the rear-seat passengers.



□ **Navigation system 8.8" monitor** uses transfective technology to greatly reduce sun glare. As a result, you enjoy vivid colors and easy-to-read type, whether in bright daylight or poor light conditions. The monitor is ergonomically positioned for minimum visual distraction while driving. In many large cities, the Navigation system can display and describe the Real Time Traffic Information around your BMW. If congestion is on your planned route, the system can often plan a detour around it. (Optional Navigation system is also included in Technology Package.)

Active Ventilated Seat Package

For the ultimate in driver and front-passenger comfort, BMW offers the Active Ventilated Seat Package. Highly supportive 20-way power multi-contour front seats are upholstered in perforated leather upholstery. The internal sections of the seats contain multiple fans that provide forced ventilation through a permeable, sandwich seat layer. In cooler weather, temperature-adjustable air flows through the seat and seatback, providing welcome warmth. In warmer weather, air circulates through the seat, dissipating perspiration. Combining multi-contour support, ventilation, and, in the driver's seat, the Active function, BMW's Active Ventilated Seat Package adds to the pleasure of travel in the X5.



Active driver's seat helps decrease stiffness or fatigue on long trips. When activated, the driver's seat surface is continuously and imperceptibly raised and lowered from side to side, keeping your spine in motion and exercising various support muscles.

20-way power multi-contour front seats conform to your body to provide optimum support and exceptional comfort over long distances. In addition to horizontal, vertical and angled adjustments, multi-contour seats include an articulated upper backrest, backrest width, Comfort headrest (two-way power, two-way manual relax headrest), and four-way power-adjustable lumbar support. Both driver's and front-passenger's seats include memory function. (Optional and included in Active Ventilated Seat Package.)

Cold Weather Package

Whether it's driving to the slopes, or just driving errands around town, there's nothing like the feeling of heated front seats on a cold morning. Add the pleasure of a heated steering wheel on those blustery days, and you are truly ready for whatever nature has in store. High-intensity, retractable headlight washers help maintain optimal visibility in all weather and driving conditions, and the ski bag is a must for protecting skis, poles and other long objects.



High-intensity, retractable headlight washers help keep lights clean of ice, mud, road salt and other coatings, for maximum road lighting and enhanced driving visibility.



Heated steering wheel is a feature that, like heated seats, becomes a must-have once it's experienced. The heating switch is conveniently located on the multi-function steering wheel.



Heated rear seats are a welcome feature for left and right rear-seat occupants in cooler weather. With the touch of a button, passengers can individually select their preferred level of warmth.



Heated front seats are a welcome feature in cooler weather. With the touch of a button, driver and front passenger can individually select from three heat settings.



Ski bag allows for clean transport of up to four pairs of skis with up to four occupants in the vehicle. Whenever the ski bag is not in use, it remains stored conveniently and discreetly behind the rear center armrest.

Technology Package

Enjoy the full benefits of today's automotive technology. Use Voice Activation to command the Navigation system to direct you anywhere in the U.S., then view the directions on the 8.8" color display or listen as it directs you verbally. The system also provides Real Time Traffic Information to warn you of possible traffic congestion ahead, and can even offer optional routes to avoid the back-ups. Backing up is equally easy, thanks to Park Distance Control. And maneuvering into tight parking spaces is now a breeze, thanks to the rear-view camera that not only provides a wide-angle color image of what's behind your rear bumper, but also offers tracking guidance when backing up.



Rear-view camera is activated automatically by shifting into reverse gear, or manually by pressing the parking-assist button. The color display shows a real camera image that may include static and track lines to help you when backing up or parallel parking. The camera also has zoom functions, and a docking line that helps guide your approach to the towing hitch of a trailer.

Premium Sound Package

Whatever your preference in music, you can enjoy the extraordinary listening experience of the Premium high-fidelity audio system and six-disc DVD changer. An equalizing method used in professional studio applications has been fitted into the X5, and the integration of 16 speakers with elaborate signal processing leads to optimal sound reproduction at all seating locations.



Premium high-fidelity system is a multi-channel system that outputs reproduction of the surround information contained in the stereo signal in a nine-channel format (seven mid- and high-range channels and two central bass channels) as well as 5.1 surround-sound from a DVD source. The 16-speaker system is comprised of one subwoofer below each front seat; and one mid-range and one high-range speaker each in the doors, D-pillars and instrument panel (center channel). A digital amplifier with nine channels and 600 watts (7x50 + 2x125) is also included. All speakers are fitted with very strong, yet compact Neodymium drives. The system also compensates for driving noise in smooth steps with speed-dependent equalizing.



Navigation system features a high-resolution glare-free monitor. Using GPS satellites and data stored on an internal hard drive, detailed maps show and tell the directions to your destination. Includes 3-D daytime and nighttime maps, zoom, travel planner, and an Assistance window. The hard drive offers 12 GB of space that can hold up to 2,000 songs. It also provides Real Time Traffic Information on potential traffic problems and solutions.



Park Distance Control, front and rear, makes parking and maneuvering in tight spaces easy. The sensors emit a beeping sound as they approach another vehicle or object. The signal increases in intensity the closer your bumper gets to the object.



Voice Activation lets you verbally control numerous Navigation system functions, and dial phone numbers hands-free. The Voice Activation button must be pressed before each use, so conversations won't accidentally activate the phone or other systems.

Multi-media changer is located in the glovebox. The single-feed changer accommodates six discs. The readily accessible unit supports multi-channel sources as well as compressed audio formats (MP3, WMA, etc.). When equipped with the Navigation system, the unit can play video on the iDrive screen when the vehicle is in Park.



iPod® and USB adaptor lets you scroll through and select the music you want by using the car's radio controls, the multi-function steering wheel buttons or iDrive Controller. Music titles are displayed on the radio or Navigation screen.

Premium Package

The X5 Premium Package is filled with comfort and convenience features that will enhance your driving experience every day, such as an automatic lifting tailgate; a power-adjustable steering column; a storage package that includes floor tracks; a digital compass that helps keep you on track to your driving destination; and automatic-dimming rear- and side-view mirrors that cut headlight glare. Enjoy the added seating comfort of lumbar support; the convenience of a Universal garage-door opener; and the peace of mind of BMW Assist™ with Bluetooth® wireless communication system. In the X5 xDrive30i and X5 xDrive35d, you'll appreciate the luxury of Nevada Leather or no-cost optional Perforated Nevada Leather upholstery.



Nevada Leather upholstery, available in a choice of four colors, cradles driver and passengers in soft gathered comfort. Durable and easy to maintain, Nevada Leather adds elegance and refinement.

Rear Climate Package

Let your rear-seat passengers create their own oasis of comfort. The Rear Climate Package offers four-zone climate control, with individual settings for the driver and front passenger, as well as left and right rear-seat passengers. Each can customize the temperature and airflow rate to their own preferences. Privacy glass and manual rear side sunshades reduce the heat and glare of the sun, helping to keep the cabin cool and glare-free while increasing passenger privacy.



Privacy glass in the rear and rear side windows enhances passenger privacy, while it reduces sun glare and interior heat.



Automatic tailgate can be opened using the remote. When closed, via a button in the tailgate handle, the cargo area cover also automatically lowers. Maximum opening height can be programmed through iDrive. (Caution: measure height of garage ceiling before setting maximum opening height.)



Lumbar support for front seats adds four-way power-adjustable comfort for the lower back. Lumbar support can be adjusted up/down and in/out.



BMW Assist™¹ and Bluetooth® system offers hands-free calling through your BMW-approved Bluetooth phone. The BMW Assist Safety Plan includes Automatic Collision Notification, Emergency Request, Enhanced Roadside Assistance, Remote Door Unlock, TeleService and more. Also available is an optional Convenience Plan with Directions, Weather, Critical Calling and Concierge services.

¹See page 66 for details of standard and optional services available with BMW Assist.



The **automatic-dimming inside rear-view mirror** darkens in response to the bright headlights of vehicles behind you. An easy-to-read **digital compass**, integrated into the mirror, is a convenient way to constantly keep your bearings while driving. A **three-button Universal garage-door opener** can be programmed to open garage doors and activate various remote convenience functions.



Four-zone climate control lets front- and rear-seat occupants select their own temperature and fan settings.



Rear side sunshades keep the sun's heat and glare away from the rear cabin while maintaining your privacy. When not in use, these manually adjustable sunshades conveniently disappear into the side doors.

Sport Activity Package

Enhance the X5 xDrive30i and X5 xDrive48i's dynamic driving capabilities with the optional Sport Activity Package. The 19" light alloy wheels with run-flat¹ all-season tires are an impressive sight. Adaptive Drive, which adds Active Roll Stabilization and Electronic Damping Control, augments the already stiff suspension to provide more precise and agile handling. Front sport seats hold you tight as you navigate turns while gripping the three-spoke, leather-wrapped sport steering wheel. An Anthracite headliner completes the interior sport décor. To set the X5 xDrive48i apart, add optional sharp Y Spoke (Style 214) 20 x 10.0 front and 20 x 11.0 rear light alloy wheels with 275/40 front and 315/35 rear run-flat¹ performance tires.²



Three-spoke leather-wrapped multi-function sport steering wheel lets you keep both hands on the wheel while adjusting controls for cruise, audio and Bluetooth® enabled mobile phones.



10-way power front sport seats with two-way manual thigh support adjustment and driver's seat memory system make the X5 driving experience more enjoyable. Side bolsters on the seats cradle you comfortably over long distances, while holding you firmly in place during sporty driving maneuvers.

Shown with Tobacco Nevada Leather upholstery.



Anthracite headliner adds a more distinctive and sporty look to the X5 interior.



Star Spoke (Style 212) 19 x 9.0 light alloy wheels and 255/50 **run-flat¹ all-season tires** are included in the X5 xDrive30i and X5 xDrive35d Sport Activity Package.



Y Spoke (Style 211) 19 x 9.0 light alloy wheels and 255/50 **run-flat¹ all-season tires** are included in the X5 xDrive48i Sport Activity Package.



Y Spoke (Style 214) 20 x 10.0 front/20 x 11.0 rear light alloy wheels and 275/40 front and 315/35 rear **run-flat¹ performance tires²** are available as an option when ordering the X5 xDrive48i Sport Activity Package.



Shadowline trim replaces the front and rear side-window chrome frames and door-sill trim strips with the more rugged, sporting look of a black high-gloss finish.



M leather steering wheel



Sport seats in exclusive Nappa leather



V Spoke (Style 227M) 20" M light alloy wheels



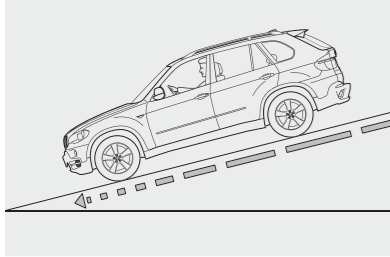
V Spoke (Style 223M) 19" M light alloy wheels

Dressed for thrilling performance with the M Sport Package.

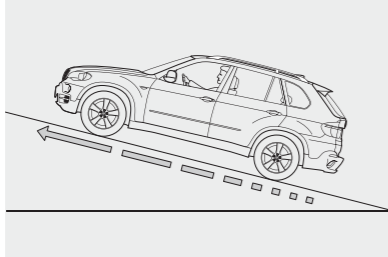
After heading for the horizon, leave behind a powerful impression with the M Sport Package. BMW designers have enhanced the X5's dynamic appearance by widening the wheel arches and offering six exterior paints, including exclusive Carbon Black Metallic. Accentuating this athletic look are handsome V Spoke (Style 223M) M light alloy wheels 19 x 9.0 front/19 x 10.0 rear, with 255/50 front, 285/45 rear run-flat¹ performance tires.² On the X5 xDrive48i you can also opt for V Spoke (Style 227M) M light alloy wheels that measure 20 x 10.0 front/20 x 11.0 rear, with 275/40 front, 315/35 rear run-flat¹ performance tires.² Equipped with Active Roll

Stabilization and Electronic Damping Control, the X5 begs for tight turns then rewards you when you oblige, by holding you securely in the bolstered M Sport Package front seats, upholstered in optional exclusive Black Nappa Leather. Both front seats are power-adjustable; the driver's seat also comes with a memory function. The M Sport Package adds BMW Individual features, as well as roof rails, High-Gloss shadowline trim, an Anthracite roofliner, and interior trim in fine-grain Brushed Aluminum.

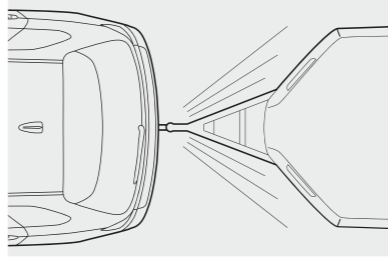
¹Run-flat tires do not come with a spare tire and wheel. A space-saver spare wheel and tire are available as an option.
²Due to low-profile tires, please note: wheels, tires and suspension parts are more susceptible to road hazard and consequential damages. Performance tires not recommended for driving in ice and snow conditions.



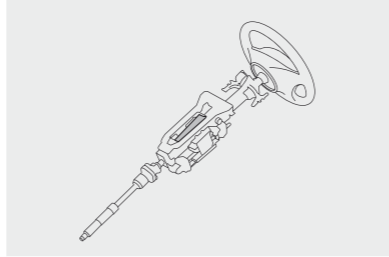
Hill Descent Control (HDC) helps the X5 drive down steep hills without having to ride the brake. By pressing the HDC button, the system keeps the X5's speed under control automatically.



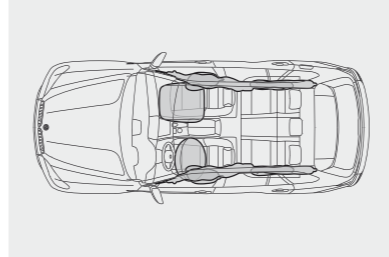
Start-off Assistant keeps your vehicle from rolling backward when you're stopped on a hill. It even holds the X5 momentarily when you release the brake before moving again.



Trailer Stability Control (used in conjunction with the trailer tow hitch, an accessory item) senses if the trailer you are towing starts to sway. It can then automatically apply the brakes to each wheel, lowering your speed until the swaying stops.

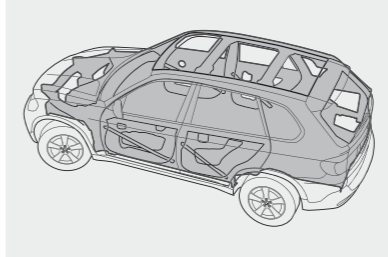


Telescoping steering column system. In a collision, a section absorbs a portion of the impact force and collapses, helping to protect the driver.

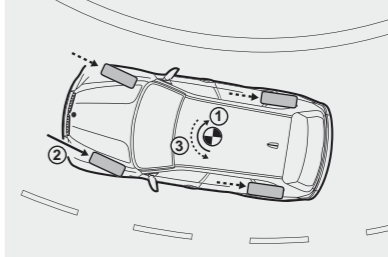


In the event of a collision, only the **airbags** that are needed are deployed. For the driver and front passenger, this includes front airbags with advanced deployment technology, front side-impact airbags, and front and rear Head Protection System (HPS).

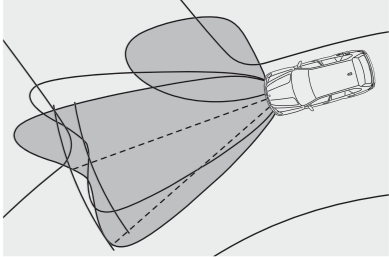
Note: These pictures of airbags are for illustrative purposes only. Depending upon the type of accident, none, some or all airbags may deploy.



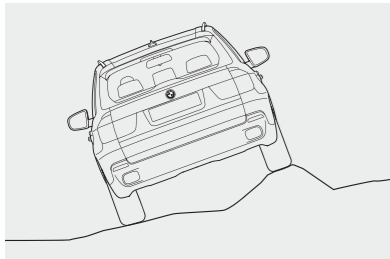
Extremely rigid body creates a protective safety cell that directs severe impact forces around the passenger compartment. Thanks to BMW's intelligent lightweight design and the use of high-strength steels, the body is 15 percent more torsionally rigid than the previous-generation X5.



Cornering Brake Control increases vehicle stability by proportioning the braking force while turning. When you brake in a turn, the pressure comes off the rear wheels, which causes the vehicle to swerve inward (oversteer) (1). Cornering Brake Control counteracts this action by asymmetrically adjusting brake pressure (2), creating stabilizing counter-torque (3), independently of the ABS system.



Xenon Adaptive Headlights with Corona headlight-rings automatically swivel to follow the curves of the road. The system uses data from on-board sensors and the steering wheel angle to determine the vehicle's direction, then adjusts the headlights accordingly, for excellent nighttime vision. **Cornering Lights**, integrated into each of the foglight housings and activated whenever the X5's turn-signal indicators are used, project additional lighting and increased illumination in the direction of the turn.

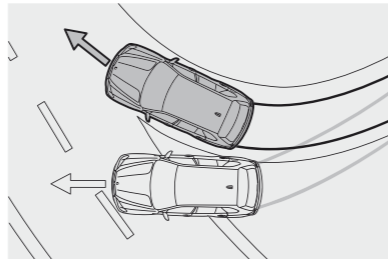


Rollover sensor, linked with the Dynamic Stability Control system, quickly detects when the X5 is at risk of rolling over and assists the driver in maintaining control of the vehicle. If a rollover is imminent, the airbags and the safety-belt pretensioners are immediately triggered to provide additional occupant protection.

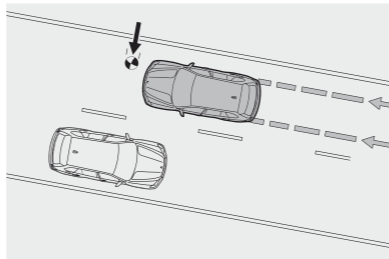


Run-flat¹ tires allow speeds of up to 50 mph and travel from 30 to 150 miles after a loss of air pressure, depending on the passenger load and weight of articles being transported.² In situations that would normally result in a flat tire, reinforced sidewalls help prevent the tires from collapsing or loosening from the rim. If there is a decline in tire pressure, the driver is warned by the **Tire Pressure Monitor**.

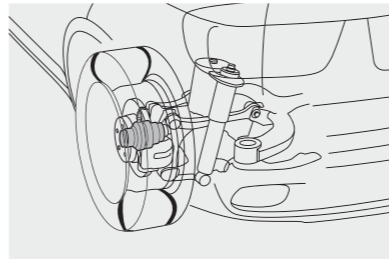
¹Run-flat tires do not come with a spare tire and wheel. A space-saver spare wheel and tire are available as an option.
²Please see your X5 SAV[®] Owner's Manual for more information detailing allotted miles to travel and load weight rules.



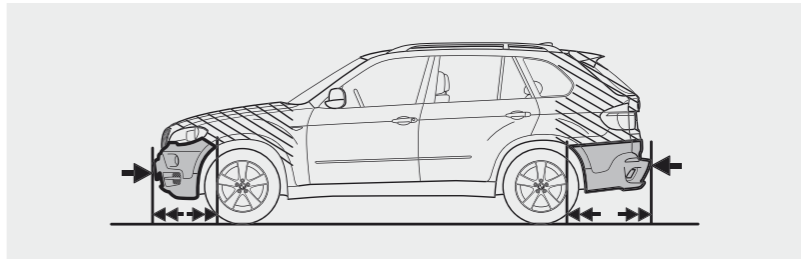
Dynamic Stability Control provides remarkable tenacity on slippery road surfaces. If the system senses over- or understeer, it modulates engine power and can apply brakes individually to help keep the vehicle under control and going in the intended direction.



Dynamic Brake Control senses panic braking maneuvers, and immediately builds up maximum brake pressure. This cuts down the overall braking distance significantly. When Dynamic Brake Control is activated, the system also deploys **Adaptive Brake Lights**, warning following drivers to brake quickly.



Tire Pressure Monitor is an electronic control system designed to warn the driver if there is a sudden and irregular loss of tire pressure. Should the target pressure of a tire fall below 25 percent, a warning light alerts the driver.



Impact-absorbing bumpers and compressible crush tubes front and rear help absorb the force of impact in collisions up to nine mph, minimizing damage to the vehicle's body and simplifying repairs. Only at higher impact speeds do structural supports begin to deform, dissipating impact energy to help protect occupants.

Performance and efficiency	X5 xDrive30i	X5 xDrive35d	X5 xDrive48i
3.0-liter, 260-horsepower, 24-valve inline 6-cylinder dual overhead cam (DOHC) engine with composite magnesium/aluminum engine block, Valvetronic, and Double-VANOS steplessly variable valve timing	●		
3.0-liter, 265-horsepower, 24-valve inline 6-cylinder dual overhead cam (DOHC) Advanced Diesel twin-turbocharged engine with aluminum engine block and third-generation piezo common rail direct injection		●	
4.8-liter, 350-hp 32-valve V-8 engine, 4 overhead camshafts, Valvetronic, and Double-VANOS 2-step variable intake manifold			●
6-speed electronically controlled automatic transmission with Adaptive Transmission Control and STEPTRONIC gear selection, including Sport mode	●	●	●

Handling, ride and braking	X5 xDrive30i	X5 xDrive35d	X5 xDrive48i
xDrive all-wheel-drive system	●	●	●
Dynamic Stability Control (DSC), including Brake Fade Compensation, Start-off Assistant, Brake Drying, and Brake Stand-by features, with Dynamic Traction Control (DTC), and Dynamic Brake Control	●	●	●
Hill Descent Control (HDC)	●	●	●
Double wishbone front suspension	●	●	●
Lightweight multi-link integral rear suspension	●	●	●
Engine-speed-sensitive power steering	●	●	●
4-wheel anti-lock ventilated disc brakes; electronic front/rear proportioning	●	●	●
Active Steering with Servotronic power assist			○
Adaptive Drive: includes Active Roll Stabilization and Electronic Damping Control (requires Sport Activity Package)	○/■		○/■
Increased top speed limiter		■	■

Exterior	X5 xDrive30i	X5 xDrive35d	X5 xDrive48i
Star Spoke (Style 210) 18 x 8.5 light alloy wheels, and 255/55 run-flat ¹ all-season tires	●	●	
Star Spoke (Style 209) 18 x 8.5 light alloy wheels, and 255/55 run-flat ¹ all-season tires			●
Star Spoke (Style 212) 19 x 9.0 light alloy wheels, and 255/50 run-flat ¹ all-season tires	□	□	
Y Spoke (Style 211) 19 x 9.0 light alloy wheels, and 255/50 run-flat ¹ all-season tires			□
V Spoke (Style 223M) 19 x 9.0 front / 19 x 10.0 rear M light alloy wheels, and 255/50 front, 285/45 rear run-flat ¹ performance tires ²	■		■
Y Spoke (Style 214) 20 x 10.0 front / 20 x 11.0 rear light alloy wheels, and 275/40 front, 315/35 rear run-flat ¹ performance tires ² (requires Sport Activity Package; includes increased top speed limiter)			○
V Spoke (Style 227M) 20 x 10.0 front / 20 x 11.0 rear M light alloy wheels, and 275/40 front, 315/35 rear run-flat ¹ performance tires ² (requires M Sport Package)			○
Xenon Adaptive Headlights with auto-leveling and Corona headlight-rings	●	●	●
Halogen free-form foglights with Cornering Lights function	●	●	●
High-intensity, retractable headlight washers	★	★	★
Dual power outside mirrors	●	●	●
Intermittent rain-sensing windshield wipers with adjustable and vehicle-speed-sensitive wiping interval, single-wipe control, windshield-washer system with heated washer jets	●	●	●
Rear-window wiper/washer with adjustable wiping interval	●	●	●
Space-saver spare (cannot be ordered with 3rd row seat)	○	○	○
Matte black roof rails	○	○	○
Aluminum roof rails	■		■

Exterior (Continued)	X5 xDrive30i	X5 xDrive35d	X5 xDrive48i
Chrome exhaust tips	●	●	●
Shadowline exterior trim	□/■	□	□/■
Metallic paint	●	●	●
Body-color exterior door and tailgate handles	●	●	●
Running boards	○	○	○

Instrumentation and controls	X5 xDrive30i	X5 xDrive35d	X5 xDrive48i
Power tilt/telescopic leather-wrapped multi-function steering wheel	●	●	●
3-spoke power tilt/telescopic leather-wrapped multi-function sport steering wheel	□	□	□
3-spoke power tilt/telescopic leather-wrapped multi-function M sport steering wheel	■		■
Dynamic Cruise Control	●	●	●
Service Interval Indicator and Check Control vehicle monitor	●	●	●
Electronic analog instrumentation with LED illumination	●	●	●
Outside-temperature display	●	●	●
iDrive system with on-board computer and Controller, and 6 programmable memory buttons	●	●	●
DVD-based Navigation system with Voice Activation, Real Time Traffic Information and Online Information Services	○/■	○/■	○/■
Time-delay courtesy lights with actuation from driver s exterior door handle or remote control; automatic switch-on when engine is turned off	●	●	●
Head-up Display (HUD) (requires Navigation system or Technology Package)	○	○	○
Rear-view camera with Top View	■	■	■
Rear-window defroster	●	●	●
BMW Universal garage-door opener	◇	◇	◇
Tire Pressure Monitor	●	●	●

Audio system	X5 xDrive30i	X5 xDrive35d	X5 xDrive48i
Anti-theft AM/FM stereo CD radio with Radio Data System (RDS), MP3 capabilities, and 3-channel FM diversity antenna system	●	●	●
High-fidelity 10-speaker sound system includes 2 subwoofers under the front seats and digital 7-channel amplifier with 205 watts of power			●
Premium high-fidelity 16-speaker sound system with Digital Sound Processing (DSP), 2 subwoofers under the front seats and digital 9-channel amplifier with 600 watts of power	△	△	△
6-disc DVD changer with MP3 capabilities	△	△	△
SIRIUS Satellite Radio with one-year subscription (for additional information, please visit your BMW SAV® center)	○	○	○
Rear-seat entertainment	○	○	○
HD Radio™ with multicast FM station reception	●	●	●
iPod® and USB adaptor (includes cable connector)	○	○	△
Smartphone Integration (must be ordered with iPod and USB adaptor, and either Premium Package or multi-contour seats)	○	○	○
Satellite radio preparation	●	●	●

- Standard
- Optional
- Included in M Sport Package
- Included in Sport Activity Package
- Included in Technology Package
- ◇ Included in Premium Package
- ★ Included in Cold Weather Package
- △ Included in Premium Sound Package

¹ Run-flat tires do not come with a spare tire and wheel. A space-saver spare wheel and tire are available as an option.
² Due to low-profile tires, please note: wheels, tires, and suspension parts are more susceptible to road hazard and consequential damage. Performance tires not recommended for driving in snow and ice conditions.

Interior	X5 xDrive30i	X5 xDrive35d	X5 xDrive48i
10-way power-adjustable driver's and passenger's seat and memory system for driver's seat, steering wheel and outside mirrors	●	●	●
10-way power-adjustable front sport seats with 2-way manual thigh support adjustment, and memory system for driver's seat, steering wheel and outside mirrors	□/▣	□	□/▣
20-way power multi-contour front seats include standard 10-way power seat functions, plus additional power adjustment functions for shoulder and thigh support, backrest width and lumbar support (contour and position), plus 2-way manual lateral adjustment for Comfort headrest (may be substituted for sport seats in Sport Activity Package and M Sport Package; not available with Leatherette)	○/◆/□/▣	○/◆/□	○/◆/□/▣
4-way lumbar support	◇	◇	◇
3-stage heated front seats	○/★	○/★	○/★
2-stage heated rear seats	★	★	★
Front-seat center console with armrest, storage compartment, and auxiliary input	●	●	●
Rear-seat center armrest	●	●	●
Active seat for driver	◆	◆	◆
Front ventilated seats (requires Perforated Nevada Leather)	◆	◆	◆
Split folding rear seats	●	●	●
3rd-row rear seat ³	○	○	○
Leatherette upholstery (not available with Sport Activity Package, Active Ventilated Seat Package, optional 20-way multi-contour seats, or optional heated rear seats)	●	●	●
Nevada Leather upholstery ⁴	○/◇	○/◇	●
Perforated Nevada Leather upholstery ⁴ (must be ordered with Active Ventilated Seat Package; no-cost option in X5 xDrive48i; no-cost option if Premium Package is ordered in X5 xDrive30i or X5 xDrive35d)	○/◇	○/◇	○
Nappa Leather upholstery, ⁴ including leather-wrapped dashboard and center console (requires multi-contour seats)	○/◇	○/◇	○
Brushed Aluminum trim (no-cost option; requires M Sport Package)	○	○	○
Dark Burl Walnut Wood trim	●	●	●
Light Poplar Wood trim (no-cost option)	○	○	○
Dark Bamboo Wood trim (no-cost option)	○	○	○
Anthracite headliner	□/▣	□	□/▣
Fully finished cargo area with velour carpeting	●	●	●
Retractable cargo cover	●	●	●

Comfort and convenience	X5 xDrive30i	X5 xDrive35d	X5 xDrive48i
Vehicle & Key Memory	●	●	●
Panoramic moonroof with 2-piece glass panel, power slide and lift control, wind deflector and electric interior sunshade	●	●	●
Power windows with key-off operation; one-touch opening and closing of all door windows, anti-trapping feature	●	●	●
Automatic front climate control with separate left/right temperature settings, automatic air conditioning and recirculation control	●	●	●
4-zone climate control with 4 individual temperature settings	▲	▲	▲
Active-charcoal micro-filter ventilation	●	●	●
Power-adjustable steering column	◇	◇	◇
Heated steering wheel (cannot be ordered with M Sport Package)	★	★	★

Comfort and convenience (Continued)	X5 xDrive30i	X5 xDrive35d	X5 xDrive48i
Comfort Access keyless entry	○	○	○
Automatic headlights	●	●	●
Automatic high beams (requires Premium Package)	○	○	○
Automatic tailgate with opening/closing feature	◇	◇	◇
Park Distance Control (front and rear)	○/■	○/■	○/■
Dual cupholders front and rear	●	●	●
Dual front sun visors with illuminated mirrors	●	●	●
Storage package, including floor tracks in rear cargo area	◇	◇	◇
Automatic tilt-down of right outside mirror for visibility of curb when backing up	●	●	●
Ambiance lighting package	◇	◇	◇
Automatic-dimming rear-view mirror with digital-readout compass and automatic-dimming, power-folding side-view mirrors	◇	◇	◇
Privacy glass in rear windows	▲	▲	▲
Rear manual side-window sunshades	▲	▲	▲
Ski bag	★	★	★
Pre-wiring for trailer hitch	●	●	●

Safety and security	X5 xDrive30i	X5 xDrive35d	X5 xDrive48i
Driver's and passenger's front airbag supplemental restraint system (SRS) with advanced technology: dual-threshold, dual-stage deployment; and front-passenger seat sensors designed to prevent unnecessary airbag deployment	●	●	●
3-point safety belts and head restraints at all seating positions	●	●	●
Front safety belts with automatic pretensioners	●	●	●
Active Head Restraints in front seats	●	●	●
Front- and rear-compartment Head Protection System (HPS) with front side-impact airbags	●	●	●
Roll-over sensor that triggers airbags and safety-belt pretensioners in the event of a roll-over	●	●	●
Adaptive Brake Lights	●	●	●
Battery Safety Terminal	●	●	●
Central locking system and Coded Driveaway Protection	●	●	●
Alarm system with keyhead remote operation interior motion detector	●	●	●
BMW Assist™ with Bluetooth® wireless technology for hands-free calling (with Bluetooth enabled mobile phone), with phonebook downloading and speech recognition capabilities (please visit your authorized BMW center for details on standard and optional services and a list of BMW-approved Bluetooth technology enabled mobile phones)	○/◇	○/◇	○/◇

BMW Services	X5 xDrive30i	X5 xDrive35d	X5 xDrive48i
BMW Ultimate Service™ (see page 66 for complete details on BMW Ultimate Service, or visit bmwusa.com/ultimateservice)	●	●	●

● Standard
○ Optional
□ Included in Sport Activity Package
▣ Included in M Sport Package
◇ Included in Premium Package

◆ Included in Active Ventilated Seat Package (must be ordered with optional Perforated Nevada Leather)
★ Included in Cold Weather Package
■ Included in Technology Package
▲ Included in Rear Climate Package

³ Includes self-leveling suspension and 3rd-row seat climate control. Please note: In Nappa Leather interiors, optional 3rd-row seats are upholstered in Nappa Leather. In all other interiors, optional 3rd-row seats are upholstered in Leatherette. Must be ordered with Leather upholstery or Premium Package in X5 xDrive30i and X5 xDrive35d. Not available with space-saver spare.
⁴ Leather upholstery includes all seating surfaces, headrests, door armrests and front center console armrest.

Active Ventilated Seat Package <small>(requires Perforated Nevada Leather, and must be ordered with Cold Weather Package or optional heated front seats)</small>	X5 xDrive30i	X5 xDrive35d	X5 xDrive48i
20-way power multi-contour front seats include standard 10-way power seat functions, plus additional power adjustment functions for shoulder and thigh support, backrest width and lumbar support (contour and position), plus 2-way manual lateral adjustment for Comfort headrest (not available with Leatherette)	○/◆	○/◆	○/◆
Active seat for driver	◆	◆	◆
Front ventilated seats	◆	◆	◆

Cold Weather Package <small>(requires Leather upholstery)</small>	X5 xDrive30i	X5 xDrive35d	X5 xDrive48i
3-stage heated front seats	○/★	○/★	○/★
2-stage heated rear seats	★	★	★
Heated steering wheel (cannot be ordered with M Sport Package)	★	★	★
High-intensity, retractable headlight washers	★	★	★
Ski bag	★	★	★

Technology Package	X5 xDrive30i	X5 xDrive35d	X5 xDrive48i
DVD-based Navigation system with Voice Activation, Real Time Traffic Information and Online Information Services	○/■	○/■	○/■
Park Distance Control (front and rear)	○/■	○/■	○/■
Rear-view camera with Top View	■	■	■

Rear Climate Package	X5 xDrive30i	X5 xDrive35d	X5 xDrive48i
4-zone climate control with 4 individual temperature settings	▲	▲	▲
Privacy glass in rear windows	▲	▲	▲
Rear manual side-window sunshades	▲	▲	▲

Premium Package	X5 xDrive30i	X5 xDrive35d	X5 xDrive48i
Nevada Leather upholstery ⁵	○/◇	○/◇	●
Nappa Leather upholstery ⁵ including leather-wrapped dashboard and center console (requires multi-contour seats)	○/◇	○/◇	○
Perforated Nevada Leather upholstery ⁵ (must be ordered with Active Ventilated Seat Package; no-cost option in X5 xDrive48i)	○/◇	○/◇	○
Lumbar support	◇	◇	◇
Automatic-dimming rear-view mirror with digital-readout compass and automatic-dimming, power-folding side-view mirrors	◇	◇	◇
BMW Universal garage-door opener	◇	◇	◇
Storage package, including floor tracks in rear cargo area	◇	◇	◇
BMW Assist™ with Bluetooth® wireless technology for hands-free calling (with Bluetooth enabled mobile phone), with phonebook downloading and speech recognition capabilities (please visit your authorized BMW center for details on standard and optional services and a list of BMW-approved Bluetooth technology enabled mobile phones)	○/◇	○/◇	○/◇
Automatic tailgate with opening/closing feature	◇	◇	◇
Power-adjustable steering column	◇	◇	◇

- Standard
- Optional
- ◆ Included in Active Ventilated Seat Package
- ★ Included in Cold Weather Package
- Included in Technology Package
- ▲ Included in Rear Climate Package
- ◇ Included in Premium Package
- △ Included in Premium Sound Package
- Included in Sport Activity Package
- ▣ Included in M Sport Package

Premium Sound Package	X5 xDrive30i	X5 xDrive35d	X5 xDrive48i
Premium high-fidelity 16-speaker sound system with Digital Sound Processing (DSP), 2 subwoofers under the front seats and digital 9-channel amplifier with 600 watts of power	△	△	△
6-disc DVD changer with MP3 capabilities	△	△	△
iPod® and USB adaptor (includes cable connector)	○	○	△

Sport Activity Package <small>(requires Leather upholstery)</small>	X5 xDrive30i	X5 xDrive35d	X5 xDrive48i
Star Spoke (Style 212) 19 x 9.0 light alloy wheels, and 255/50 run-flat ⁶ all-season tires	□	□	
Y Spoke (Style 211) 19 x 9.0 light alloy wheels, and 255/50 run-flat ⁶ all-season tires			□
Y Spoke (Style 214) 20 x 10.0 front / 20 x 11.0 rear light alloy wheels, and 275/40 front, 315/35 rear run-flat ⁶ performance tires ⁷ (requires Sport Activity Package; includes increased top speed limiter)			○
10-way power front sport seats with 2-way manual thigh support adjustment, and memory system for driver s seat, steering wheel and outside mirrors	□	□	□
20-way power multi-contour front seats include standard 10-way power seat functions, plus additional power adjustment functions for shoulder and thigh support, backrest width and lumbar support (contour and position), plus 2-way manual lateral adjustment for Comfort headrest (may be substituted for sport seats in Sport Activity Package)	□	□	□
3-spoke power tilt/telescopic leather-wrapped multi-function sport steering wheel	□	□	□
Adaptive Drive: includes Active Roll Stabilization and Electronic Damping Control	□	□	□
Anthracite headliner	□	□	□
Shadowline exterior trim	□	□	□

M Sport Package <small>(cannot be ordered with Sport Activity Package; see pages 34 and 37 for paint choices)</small>	X5 xDrive30i	X5 xDrive35d	X5 xDrive48i
Adaptive Drive: includes Active Roll Stabilization and Electronic Damping Control	▣		▣
V Spoke (Style 223M) 19 x 9.0 front / 19 x 10.0 rear M light alloy wheels, and 255/50 front, 285/45 rear run-flat ⁶ performance tires ⁷	▣		▣
V Spoke (Style 227M) 20 x 10.0 front / 20 x 11.0 rear M light alloy wheels, and 275/40 front, 315/35 rear run-flat ⁶ performance tires ⁷ (requires M Sport Package)			○
10-way power front sport seats with 2-way manual thigh support adjustment, and memory system for driver s seat, steering wheel and outside mirrors	▣		▣
20-way power multi-contour front seats include standard 10-way power seat functions, plus additional power adjustment functions for shoulder and thigh support, backrest width and lumbar support (contour and position), plus 2-way manual lateral adjustment for Comfort headrest (may be substituted for sport seats in M Sport Package)	▣		▣
3-spoke power tilt/telescopic leather-wrapped multi-function M sport steering wheel	▣		▣
Anthracite headliner	▣		▣
Shadowline exterior trim	▣		▣
Increased top speed limiter	▣		▣
Aluminum roof rails	▣		▣

- Standard
 - Optional
 - ◆ Included in Active Ventilated Seat Package
 - ★ Included in Cold Weather Package
 - Included in Technology Package
 - ▲ Included in Rear Climate Package
 - ◇ Included in Premium Package
 - △ Included in Premium Sound Package
 - Included in Sport Activity Package
 - ▣ Included in M Sport Package
- ⁵ Leather upholstery includes all seating surfaces, headrests, door armrests and front center console armrest.
⁶ Run-flat tires do not come with a spare tire and wheel. A space-saver spare wheel and tire are available as an option.
⁷ Due to low profile tires, please note: wheels, tires, and suspension parts are more susceptible to road hazard and consequential damage. Performance tires not recommended for driving in snow and ice conditions.

Optional equipment listing	X5 xDrive30i	X5 xDrive35d	X5 xDrive48i
Active Steering with Servotronic power assist	○		○
Adaptive Drive: includes Active Roll Stabilization and Electronic Damping Control (option must be ordered with Sport Activity Package)	○/■		○/■
Y Spoke (Style 214) 20 x 10.0 front / 20 x 11.0 rear light alloy wheels, and 275/40 front, 315/35 rear run-flat ⁸ performance tires ⁹ (requires Sport Activity Package; includes increased top speed limiter)			○
V Spoke (Style 227M) 20 x 10.0 front / 20 x 11.0 rear M light alloy wheels, and 275/40 front, 315/35 rear run-flat ⁸ performance tires ⁹ (requires M Sport Package)			○
Space-saver spare (cannot be ordered with 3rd-row seat)	○	○	○
Comfort Access keyless entry	○	○	○
Matte black roof rails	○	○	○
Running boards	○	○	○
20-way power multi-contour front seats include standard 10-way power seat functions, plus additional power adjustment functions for shoulder and thigh support, backrest width and lumbar support (contour and position), plus 2-way manual lateral adjustment for Comfort headrest (may be substituted for sport seats in Sport Activity Package and M Sport Package; not available with Leatherette)	○/◆/□/■	○/◆/□	○/◆/□/■
3-stage heated front seats	○/★	○/★	○/★
Nevada Leather upholstery ¹⁰	○/◇	○/◇	●
Perforated Nevada Leather upholstery ¹⁰ (must be ordered with Active Ventilated Seat Package; no-cost option in X5 xDrive48i; no-cost option if Premium Package is ordered in X5 xDrive30i or X5 xDrive35d)	○/◇	○/◇	○
Nappa Leather upholstery ¹⁰ including leather-wrapped dashboard and center console (must be ordered with either Sport Activity Package or multi-contour seats)	○	○	○
Brushed Aluminum trim (no-cost option; requires M Sport Package)	○		○
Light Poplar Wood interior trim (no-cost option)	○	○	○
Dark Bamboo Wood interior trim (no-cost option)	○	○	○
3rd-row rear seat ¹¹	○	○	○
Park Distance Control (front and rear)	○/■	○/■	○/■
DVD-based Navigation system with Voice Activation, Real Time Traffic Information and Online Information Services	○/■	○/■	○/■
Head-up Display (HUD) (requires Navigation system or Technology Package)	○	○	○
BMW Assist™ with Bluetooth® wireless technology for hands-free calling (with Bluetooth enabled mobile phone), with phonebook downloading and speech recognition capabilities (please visit your authorized BMW center for details on standard and optional services and a list of BMW-approved Bluetooth technology enabled mobile phones)	○/◇	○/◇	○/◇
Automatic high beams (requires Premium Package)	○	○	○
SIRIUS Satellite Radio with one-year subscription (for additional information, please visit your BMW SAV® center)	○	○	○
Rear-seat entertainment	○	○	○
iPod® and USB adaptor (includes cable connector)	○	○	△

- Optional
- Included in M Sport Package
- ◆ Included in Active Ventilated Seat Package (must be ordered with optional Perforated Nevada Leather)
- Included in Sport Activity Package
- ★ Included in Cold Weather Package
- ◇ Included in Premium Package
- Included in Technology Package
- △ Included in Premium Sound Package

⁸ Run-flat tires do not come with a spare tire and wheel. A space-saver spare wheel and tire are available as an option.
⁹ Due to low profile tires, please note: wheels, tires, and suspension parts are more susceptible to road hazard and consequential damage. Performance tires not recommended for driving in snow and ice conditions.
¹⁰ Leather upholstery includes all seating surfaces, headrests, door armrests and front center console armrest.
¹¹ Includes self-leveling suspension and 3rd-row seat climate control. Please note: In Nappa Leather interiors, optional 3rd-row seats are upholstered in Nappa Leather. In all other interiors, optional 3rd-row seats are upholstered in Leatherette. Must be ordered with Leather upholstery or Premium Package in X5 xDrive30i and X5 xDrive35d. Not available with space-saver spare.

Weight		X5 xDrive30i	X5 xDrive35d	X5 xDrive48i
Unladen	lbs	4982	5225	5335
Weight distribution, front/rear	%	47.6/52.4	49.8/50.2	49.6/50.4

Engine		X5 xDrive30i	X5 xDrive35d	X5 xDrive48i
Liter/type/valves per cylinder		3.0/inline 6/4	3.0/inline 6/4	4.8/V-8/4
Bore/stroke	inch	3.35/3.46	3.31/3.54	3.66/3.48
Nominal output/rpm	hp	260/6600	265/4200	350/6300
Maximum torque/rpm	lb-ft	225/2750	425/1750-2250	350/3400-3800
Compression ratio	:1	10.7	16.5	10.5
Fuel grade		unleaded premium gasoline	diesel	unleaded premium gasoline
Approximate tank capacity	gal	22.5	22.5	22.5

Transmission		X5 xDrive30i	X5 xDrive35d	X5 xDrive48i
Automatic gear ratios	I/II/III	:1	4.17/2.34/1.52	4.17/2.34/1.52
	IV/V/VI	:1	1.14/0.87/0.69	1.14/0.87/0.69
Reverse gear ratio		:1	3.40	3.40
Final drive ratio		:1	4.44	3.64

Performance		X5 xDrive30i	X5 xDrive35d	X5 xDrive48i
Drag coefficient	C _d	0.34	0.35	0.35
Top speed (limited electronically)	mph	130	130	130 [150]
Acceleration 0-60 mph ¹	sec	7.8	6.9	6.4

Fuel consumption ²		X5 xDrive30i	X5 xDrive35d	X5 xDrive48i
City/highway	mpg	15/21	19/26	14/19

Tires and wheels		X5 xDrive30i	X5 xDrive35d	X5 xDrive48i
Tire dimensions		255/55	255/55	255/55
Wheel dimensions		18x8.5	18x8.5	18x8.5
Material		light alloy	light alloy	light alloy

Figures in [] apply to vehicles with Sport Activity Package and optional 20" wheels.

¹ BMW AG test results. Actual acceleration results may vary, depending on specification of vehicle; road and environmental conditions; testing procedures and driving style. These results should be used for comparison only and verification should not be attempted on public roads. BMW urges you to obey all posted speed laws and always wear safety belts.
² EPA-estimated figures are for comparison purposes only. Your actual mileage will vary, depending on speed, driving habits, trip length and driving conditions; actual mileage may be lower.



Personalize your X5 with an Aerodynamic Kit, Surfboard and Windsurfer Carrier, and Double Spoke (Style 215) 21-inch alloy wheels in Ferric Gray.

Equipped with the best ideas. Original BMW Accessories.

Driving a BMW is always a special experience, which can be enhanced even further with Original BMW Accessories. Benefit from innovative solutions combining unique ideas, stunning design and supreme functionality. Built to the same demanding quality level as your vehicle, Original BMW Accessories enhance such aspects as the exterior, interior, technology, transporters and protection. The BMW Roof Box 460, for example, perfectly fits the BMW X5. Using this transport box is particularly easy, thanks to its innovative design that opens and locks on both sides. For information on other accessories, visit accessories.bmwusa.com or visit your BMW center for a catalog showing the complete range of Original BMW Accessories.



Snap-in-adapter for iPhone™ lets you control music and make hands-free calls through the steering wheel or iDrive.



Rear window and rear-side window sunscreens help keep the cabin protected from the glare and heat of the sun.



Gear Selector accented in high-gloss Burl Walnut or Light Poplar Wood enhances the beauty of the X5 interior.



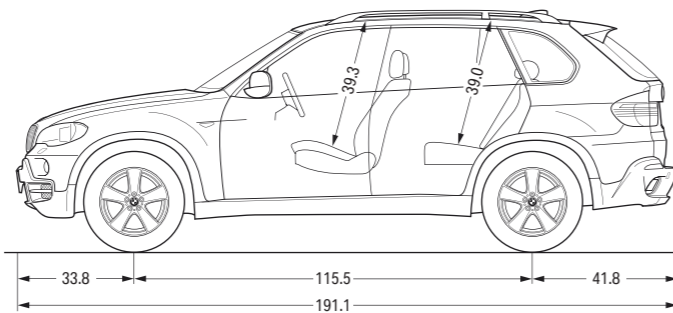
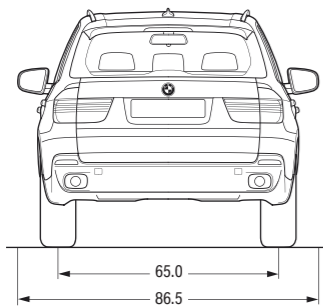
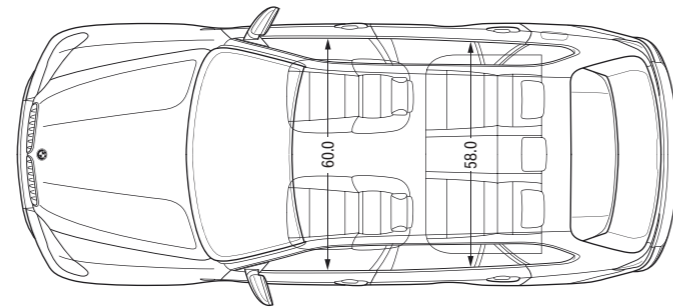
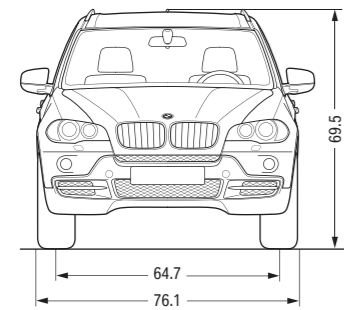
Wood Steering Wheel Cover in high-gloss Burl Walnut or Light Poplar Wood adds a touch of elegance to the sport steering wheel.



Rear-Mounted Bicycle Carrier carries two locked bicycles; an extension set holds a third. Even when in use, tailgate can be opened.



Fitted Luggage Compartment Mat is custom-formed, and constructed of easy-clean heavy-duty plastic that resists oil and solvents.



Illustrations above: all dimensions in inches.

BMW and the environment.

BMW is a strong proponent of the environment and social responsibility. It is important to manage the earth's resources responsibly, and not jeopardize the needs of future generations. That is why BMW makes vehicles that minimize adverse environmental impact, from production (pollution prevention and waste minimization at the plant) through owner use (low emissions) to eventual disposal (easy drainability of all fluid-related components and easy neutralization of all pyrotechnic devices).

This effort has been recognized worldwide and, as a result, we are pleased to have received numerous environmental honors. In the U.S., for example, the Environmental Protection Agency accepted BMW's Spartanburg, SC production and manufacturing facility as a charter member of the agency's National Environmental Performance Track. Internationally, BMW AG the parent company of both BMW of North America and BMW Manufacturing Co., Spartanburg, SC was the first automotive company to be represented on the Dow Jones Sustainability Group Index, and has remained on the Index ever since. At BMW, we strive for high performance in everything we do.

U.S. Importer: BMW of North America, LLC, Woodcliff Lake, NJ 07677. All illustrations and specifications contained in this brochure are based on the latest product information available at the time of printing. BMW reserves the right to make changes at any time, without notice, in colors, materials, equipment, specifications and models. BMW may, subject to legal requirements, determine the Model Year designation of its vehicles. The Model Year designation on any particular model may be longer or shorter than 12 months. Some vehicles pictured may contain non-U.S. equipment. Some models may be shown with optional equipment. While BMW NA makes all reasonable efforts to provide accurate information in this brochure, there is no guarantee or warranty of accuracy. Furthermore, we do not assume any liability for the accuracy or completeness of information presented. This brochure shall not be used or relied upon as a substitute for information that is available from your BMW center. Further information can be obtained from your authorized BMW center or bmwusa.com.

©2009 BMW of North America, LLC. Not to be reproduced wholly or in part without written permission of BMW NA. The BMW name, logo, model names, SAV and Sports Activity Vehicle are registered trademarks.

The Bluetooth word mark and logos are owned by the Bluetooth SIG, Inc. and any use of such marks by BMW is under license. iPod is a registered trademark of Apple Inc. Other trademarks and trade names are the property of their respective owners.

BMW recommends Castrol

BMW European Delivery: Save money and drive your new BMW on the roads it was designed for.

The new **BMW Welt** (BMW World) delivery and brand-experience center in Munich is bold proof of BMW's passion for design. When you take advantage of the BMW European Delivery Program,¹ this is where you will meet your new BMW in a personalized process that is highly dramatic and totally unforgettable. (You might also realize substantial savings that just may pay for your trip.) While you're there, marvel at the historic BMWs in the Museum; learn about our engineers' newest innovations in the Technology and Design Atelier; and take a tour of the plant to experience firsthand the state-of-the-art methods used to create a BMW. Then comes the unique experience of driving your new BMW on the roads it was designed for. To learn more, visit bmwusa.com/europeandelivery.



BMW Ultimate Service.™

At BMW, we believe that a premium ownership experience should feature performance and luxury, as well as safety and convenience. We believe you should be able to drive a BMW to its potential, while enjoying peace of mind and reduced cost of ownership. That's the idea behind BMW Ultimate Service: a suite of comprehensive programs and services that are included in every 2009 and later model year vehicle. The New Vehicle Limited Warranty, the BMW Maintenance Program, and Roadside Assistance come standard, with BMW Assist™ offered as an option. BMW Ultimate Service starts with the **New Vehicle Limited Warranty**, providing you with coverage for the first four years or 50,000 miles, whichever comes first. Additionally, you have 12-year, unlimited-mileage warranty protection against corrosion and rust perforation.² **BMW Maintenance Program** is one of the most comprehensive maintenance programs in its class. We cover all factory-recommended maintenance during the New Vehicle Limited Warranty coverage period. This includes scheduled oil services and inspections. Also covered is the replacement of items that are subject to normal wear and tear, such as brake pads, wiper blade inserts and engine drive belts.³ And, thanks to BMW's advanced engineering, most owners enjoy a well-balanced maintenance schedule, with flexible routine service intervals that can save you time. When your vehicle requires attention, your authorized BMW or BMW SAV® center ensures that it receives only genuine BMW parts – your assurance of exacting quality standards.

BMW Roadside Assistance is provided free of charge for the first four years – with no mileage limit. Call **1-800-332-4BMW (4269)** for friendly on-the-road help, 24/7, anywhere in the United States, Canada and Puerto Rico. This includes everything from flat-tire changes, emergency gasoline and lock-out service, to towing, alternative transportation and even trip-interruption benefits. This service also provides valuable trip-routing advice.

The **BMW Assist™** Safety Plan⁴ is an optional four-year program. You'll enjoy peace of mind knowing that a friendly response specialist is there to help you, 24/7, at just the push of a button. The **Safety Plan** includes Automatic Collision Notification, Emergency Request, Enhanced Roadside Assistance, Door Unlock, Stolen Vehicle Recovery and Customer Relations. MyInfo allows you to send business locations and street addresses with their associated phone numbers from the Google Maps™ website directly to your BMW. The destination can be sent to your Navigation system for turn-by-turn directions, and you can call the destination via your Bluetooth® linked cell phone. And for the ultimate in coverage, add the optional **Convenience Plan**.⁵ You'll enjoy unlimited access to personalized Directions, Traffic and Weather reports, as well as our Concierge feature, which can send a destination address and phone number, such as a restaurant or hotel, right to your BMW. You can make up to four operator-assisted calls per year with Critical Calling if your cell phone is not available, or if its battery is discharged. BMW Search allows online access to up-to-date fuel prices and the latest weather forecasts, as well as Bloomberg's stock indices and the powerful reach of the Google Maps™ database – delivered to the iDrive display right inside your vehicle.

BMW's unique **TeleService**, included in the BMW Assist Safety Plan, continually monitors specific parts that are subject to wear and tear – including the engine oil, micro-filter, spark plugs, brake linings and various fluids – as well as services that require attention at regular intervals, such as vehicle service inspections. This data is automatically transmitted to your BMW center, which will then call you to schedule a service appointment. You don't have to keep track of when your vehicle requires routine maintenance. An added benefit: any needed maintenance service parts will already be on hand, so your BMW is serviced and returned to you as quickly as possible.

For more details on BMW Ultimate Service, visit your preferred BMW or BMW SAV center or log on to bmwusa.com/ultimateservice.

BMW Virtual Center.

If you get the sudden urge to shop for a BMW but your BMW center is closed, there's good news – the BMW Virtual Center is open 24 hours a day! Log on to bmwusa.com, then click on the model series you are interested in. After selecting the BMW that interests you, click on **Build Your Own**. Configure the BMW of your dreams, and see what the monthly payments would be. You can even send the specifications to your BMW or BMW SAV center, apply for financing, or request a test drive – all online!

BMW Financial Services.

Arranging to buy or lease a BMW is easier than you may think. Your BMW SAV center offers leasing and financing to suit your personal needs through BMW Financial Services.⁶ Start the process at our website, where you can build your dream vehicle, get an estimate on a monthly

lease or financing payment, submit a credit application to BMW Financial Services – and get approval – all online!⁶ To find out how BMW Financial Services can help put you behind the wheel of your favorite BMW model, log on to bmwusa.com/fs or call, toll-free, **1-800-578-5000**.

BMW Publications and Media Gallery.

Sent to new owners and lessees several times a year, **BMW Magazine** is a fascinating view of the latest events and products in the world of BMW, including personality profiles, travel reviews, and the latest BMW technologies. You can read articles from **BMW Magazine**, as well as **Mdriver** and **Inside Track**, on the BMW website at bmwusa.com in the Media Gallery/ News Feed, found in the Experience section. Here you can also view featured videos and images, read recent news articles, and download BMW wallpapers. For more information, call Customer Assistance at **1-800-334-4BMW (4269)** or visit BMW online at bmwusa.com.

¹ Not all models available for BMW European Delivery Program. Please go to bmwusa.com or visit your authorized BMW or BMW SAV center for details.

² See your BMW SAV center for details on these limited warranties.

³ The BMW Maintenance Program covers factory-recommended maintenance services as determined by the Service Interval Indicator for all new eligible MY 2004 and later BMW vehicles. Specific additional items that need replacement due to normal wear and tear are also covered. The maintenance coverage period is for the first 4 years or 50,000 miles, whichever comes first. Exclusions from coverage include: gasoline, gasoline additives, windshield washer fluid and additives, tires, wheels, wheel alignment and tire balancing. All work must be performed by an authorized BMW SAV center. See the Service and Warranty Information booklet for specific terms, conditions and limitations. Further information can also be obtained from your BMW SAV center.

⁴ The BMW Assist and Bluetooth Hands-free Calling system with 4 years of Safety Plan services is optional or included in the Premium Package. In order to receive BMW Assist services, a subscriber agreement must be completed and transferred to the BMW Assist Response Center. GPS and underlying wireless services must be available and functioning; vehicle ignition must be turned on (except for Door Unlock and Stolen Vehicle recovery), battery charged and connected and vehicle's electrical system operational; services may be limited to certain geographic areas. Call toll-free **1-888-333-6118**, log on to bmwassist.com, or visit your BMW SAV center for additional program details. Services are subject to the terms and conditions of your subscriber agreement.

⁵ Requires BMW Assist Safety Plan subscription. Services are subject to the terms and conditions of your subscriber agreement. Please go to bmwassist.com for additional details on the optional Convenience Plan.

⁶ Subject to credit approval and other terms and conditions.

More about BMW

bmwusa.com
1-800-334-4BMW



The Ultimate
Driving Machine®

