



A3

Audi A3

Audi
Truth in Engineering 

Much more than good taste, upon reflection.

Your A3 definitely knows how to make a first impression. Just consider its strong, athletic lines and that unmistakable Audi Singleframe® grille. But to truly see it for what it is, one has to dig a little deeper. Do this, and what you'll uncover is much more than what first captivates the eye. The trademark Audi quattro® all-wheel drive system is available to help maximize traction, while the available groundbreaking TDI® clean diesel engine helps give you unmatched fuel efficiency¹ without compromising performance. You'll also discover a wealth of available innovative technologies, like Audi MMI® Navigation plus² with traffic information, that helps keep you effortlessly connected to the world. So go ahead, take some time to reflect. We promise you'll only want one even more.



.01 - TDI® Clean Diesel Technology

The available groundbreaking 2.0-liter TDI clean diesel engine delivers 140 hp and 236 lb-ft of torque, yet achieves an EPA-estimated 30 mpg city and 42 mpg highway.¹ If there's such a thing as having your cake and eating it too, this is it.

.02 - Powerful yet Efficient 2.0 TFSI® Engine

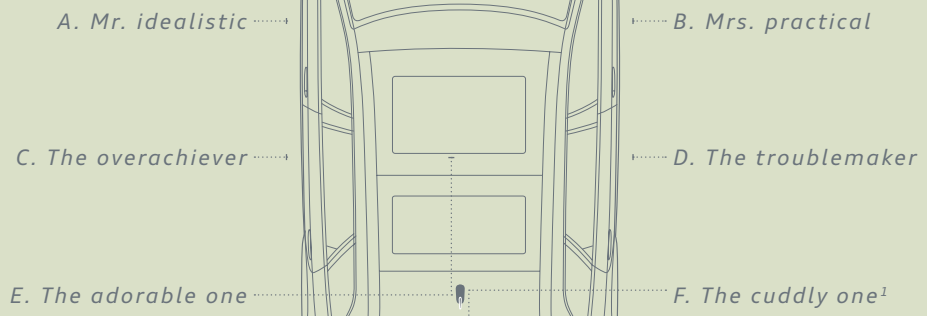
Years ahead of the competition, the Audi 2.0-liter turbocharged intercooled DOHC engine combines variable valve timing, Audi TFSI direct injection and turbocharging for more power while returning up to 30 mpg on the highway.¹ If your heart didn't skip a beat at first sight, it surely will now.

Try and refrain from yelling “echo.”

Its exterior may talk a big game, but inside is where it really speaks volumes. The luxurious interior is spacious enough to bring practically whatever your imagination can conjure up, while your four passengers will graciously thank you after experiencing the supple standard leather that graces every seat. In here, the possibilities seem exceptionally endless.



Space fit for a modern family, and their best friend. With room to comfortably fit five, the A3 ensures nobody has to be left out of the fun.



¹ Always use an appropriate restraint system to secure, tether and protect your pets when transporting them in a vehicle.

A fearless exhibition of confidence.

Bold statements are always a gamble, but sometimes the reward far outweighs the risk. Consider that the A3 is strong and athletic from any angle. Or that its low, wide stance declares it eats curves for breakfast. Even its muscular fenders, short overhangs and distinctive lines demand a second take. Everything about its design was meant to stir the senses and leave others wanting more.



rear bumper rear spoiler

Audi S line badges

front bumper

Audi S line® Exterior Appearance



~ fig. 02

.03 - LED Daytime Running Light Technology

You really know how to make a statement. And that's exactly what the available energy-efficient LED daytime running lights are designed to do. On top of accenting the signature Audi Singleframe grille, they also enhance your vehicle's visibility.

.04 - Audi Singleframe® Grille

Perhaps its most dramatic element, the signature Audi Singleframe grille makes the A3 instantly recognizable. Its lines perfectly meld with the rest of the front fascia and combine for a thrilling effect.

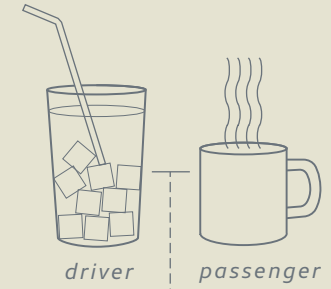


Luxury should always offer a new perspective.



.05 - Dual-zone Automatic Climate Control

Who says you have to compromise on your personal comfort? Dual-zone automatic climate control gives you and your front passenger the ability to independently maintain your perfect temperature.



Experience an interior that hits all the right notes. The vents, switches and center console offer a fresh and modern look, while the distinctive instrument panel features white-on-black gauges with red needles for quick and accurate readings. Add to that supple leather seating surfaces and quality inlay materials, and *sophisticated, refined* and *purposeful* are three words that truly go the distance in here.

.06 - Flexmetallic Trim

Along with the ergonomic design of the door handles, flexmetallic trim graces the beltline to add to the overall bold and contemporary feel of the interior.



luxurious



.07 - Leather Seating Surfaces

Naturally, this being an Audi, all the seating surfaces are wrapped in leather and feature beautiful stitching to complement the artistic design.

In here, the possibilities shine brighter.

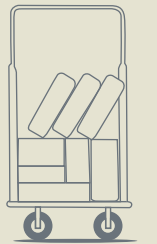
In the A3, it's all about what you can do, not what you can't. That's why it has an exceptionally versatile interior. Throw in an available Open Sky panoramic sunroof destined to make every day brighter. Now what do you have? An interior that is capable of turning your every whim into reality.

UVA/UVB Protection



.08 - Open Sky Panoramic Sunroof

Let it all in with the available Open Sky panoramic sunroof. It creates a refreshing and light-filled interior that further adds to the pleasing ambience. And to keep you and the luxurious interior protected, the glass blocks UVA and UVB rays.



.09 - Spacious Cargo Area

Just try to fill it up. With 60/40 split folding rear seats that allow for multiple configurations and a maximum cargo capacity of 39 cu ft, there's almost no limit to the cargo-carrying abilities.

Ready for whatever road you travel.



Every turn brings another chance for a surprise. But being mentally prepared isn't the only thing that matters. Your vehicle's ability to physically react with stunning precision and relentless grip also counts. So when the road throws you a curve, you can just smile and ask for more.

.10 - Sport Suspension

Inspiring confidence in every turn, you can count on the available sport MacPherson strut front suspension and multilink rear suspension to provide a high level of lateral rigidity. So whether you're dodging traffic in the city or taming an apex-filled mountain road, you can expect dynamic handling.



.11 - Audi Servotronic® Steering

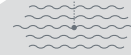
Imagine an intelligent steering system that adjusts its level of resistance based on your speed. One that allows for more precise control at higher speeds while decreasing resistance at lower speeds for easier maneuvering in tight situations. Servotronic steering does exactly that.

hairpin turn

loose gravel

rocks on roadway

wet roadway



quattro

It takes a keen sense of the road to truly tame it. And no all-wheel drive system is more in tune with its surroundings than the available legendary Audi quattro® all-wheel drive. Thirty-plus years of proven technology has produced a system that helps provide solid traction and confidence in the most adverse conditions. Not to mention unequalled performance all other times.



~ fig. 03



.12 - Center Differential

During normal driving conditions the center differential transfers more power to the front wheels, but in extreme circumstances it can transfer all the torque to one of the two axles, helping to give you optimal traction in almost every situation.

Trick your irrational side.

Sometimes an engine is so refined it makes it look too easy. Case in point: the Audi 2.0-liter turbocharged engine. Producing effortless power and punchy torque may seem easy, but peel back the mechanical layers and you'll find an array of technologically ingenious features that assist in making the seemingly impossible, possible.

.13 - 2.0-liter Turbocharged Engine

Combining variable valve timing, Audi TFSI® turbocharging and direct injection for more power and efficiency, the Audi 2.0-liter DOHC engine is years ahead of the competition. Producing 200 hp and 207 lb-ft of torque, it was the first engine to combine gasoline direct injection with turbocharging in large-scale production.

Elevating the performance of your A3, the Audi valvelift system intelligently varies the lift and duration of the engine's exhaust valves, helping deliver smooth power buildup, instantaneous throttle response and a reduction in fuel consumption.

.14 - Audi Valvelift System



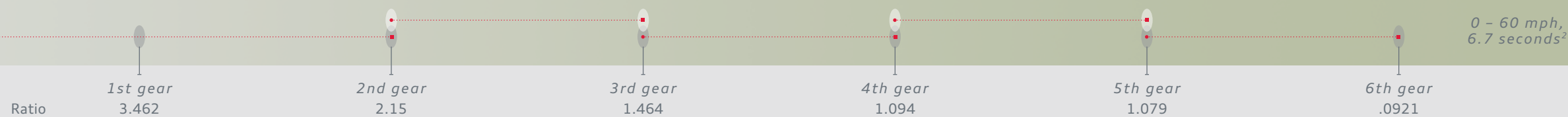
4 valves per cylinder	FSI® direct injection	21 city / 30 hwy mpg ¹	200 hp / 207 lb-ft torque
Compressing the air flow to the engine allows more air into the cylinder and ultimately more power from each ignition, significantly improving the engine's power-to-displacement ratio.	Audi FSI direct injection aids in cutting down on waste and increases power by delivering a precise amount of fuel directly into the combustion chamber, helping ensure a more complete combustion.	With higher compression ratios and cylinder pressure, the TFSI engine fully atomizes fuel and helps optimize boost response.	The combination of these advanced technologies allows Audi to use a smaller, more efficient engine that still achieves excellent power and performance results.

.15 - Six-speed Manual Transmission

Get a deeper connection to the road. The available smooth-shifting six-speed manual transmission delivers precise control while transferring maximum engine output to the road.³

A total shift in thinking.

Shifting in 0.2 seconds requires a completely new way of doing things. Utilizing two clutches, the Audi S tronic® transmission facilitates lightning-quick gear shifts and near-constant power by ensuring you are in the gear you select the instant you select it. With almost no loss of momentum, no loss of rpm and almost no lag between gears, S tronic delivers a thrilling experience.



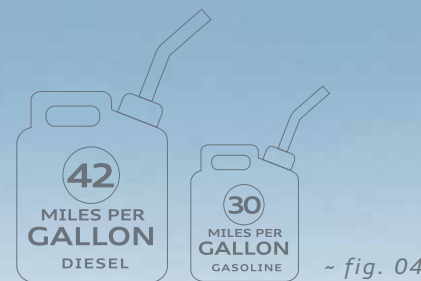
¹ 21 city/30 highway/24 combined mpg (2012 A3 2.0T with six-speed manual transmission and FrontTrak® front-wheel drive). EPA estimates. Your mileage will vary.

² 0-60-mph times will vary from model to model. Always obey local speed and traffic laws. ³ Not available on all models.

TDI Clean Diesel

Be the one to say “Less filling!” and mean it.

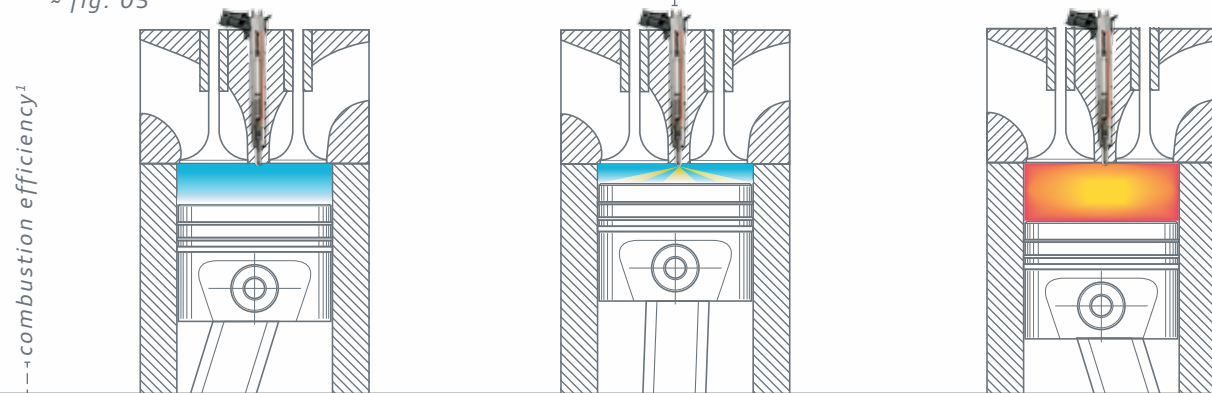
In the realm of high efficiency, all fuels are not created equal—or engines, for that matter. Consider the Audi TDI® clean diesel engine, which achieves better fuel economy than a comparable gasoline engine¹ while producing fewer CO₂ emissions. And when you add in the thrilling off-the-line acceleration that its 140 hp and 236 lb-ft of torque provide, you’ll have an even better reason to yell out loud?



.16 - Diesel Has a Bigger Bang per Gallon

Packing more energy content than gasoline, diesel reigns as the king of efficiency. And taking advantage of this superior medium is the TDI clean diesel engine.¹ Its advanced design is specifically engineered to harvest every last ounce of energy from diesel fuel.

~ fig. 05



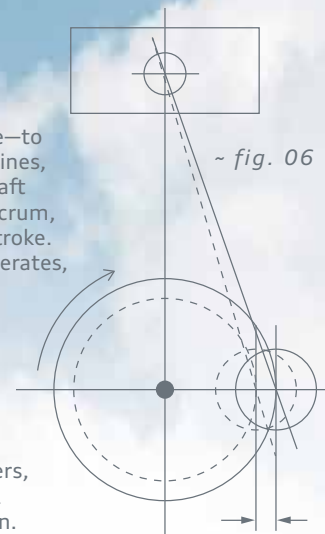
compression
Featuring significantly higher compression ratios and increased cylinder pressure, fuel is more fully atomized. The advantage is optimized turbo-charger boost and fuel efficiency.¹

direct injection
The high-pressure direct injection is an important part of the Audi TDI clean diesel engine's remarkable horsepower and torque. By mixing the precise amount of fuel and air in the chamber, maximum combustion and maximum power are achieved.

combustion
Combining the high compression ratio with direct injection allows for a more thorough combustion, helping to ensure a highly efficient process and low emissions.

.17 - Engineered for More Torque

Audi uses a classic technological principle—leverage—to help deliver more torque. With TDI clean diesel engines, the piston travels farther through a deeper crankshaft throw, while a longer connecting rod acts as the fulcrum, helping produce more lb-ft of torque via the long stroke. And you feel the end result in the way your A3 accelerates, with a powerful burst of torque-driven response.²



.18 - Piezo Injectors

Delivering a precise amount of fuel into the chambers, the piezo injectors help ensure that the perfect fuel and air mixture is achieved for complete combustion. The result: increased power output and a more exhilarating driving experience.

Illustrations do not reflect actual operation and are for explanatory purposes only.

¹ 30 city/42 highway/34 combined mpg (2012 A3 2.0 TDI® with Audi S tronic® dual-clutch transmission and FrontTrak® front-wheel drive); 21 city/30 highway/24 combined mpg (2012 A3 2.0T with six-speed manual transmission and FrontTrak® front-wheel drive). EPA estimates. Your mileage will vary. ² Always obey local speed and traffic laws.

Of course it's a smart connection.

You should expect nothing less from Audi. And after experiencing all the ways we keep you connected, your expectations will be even greater. With available features like the advanced Audi music interface that provides intelligent integration with your iPod®, Audi MMI® Navigation plus with traffic information and seamlessly integrated BLUETOOTH® technology, you'll quickly realize we are all about keeping you infinitely connected to your world.¹



take control

.19 - BLUETOOTH®

Take your connection one step further with the fully integrated available BLUETOOTH® hands-free phone system. You can conveniently access your BLUETOOTH®-enabled phone's features through the driver information system, helping allow for simple, intuitive and hands-free operation.



.20 - Audi Navigation Plus

The open road is no match for this available sophisticated system. Count on audible route-guidance to give you the best possible path to your destination, while traffic updates help you to skirt gridlock and save time. And with a choice of a six-CD changer or a fully integrated iPod® connection, time in your car will always be time well spent.¹

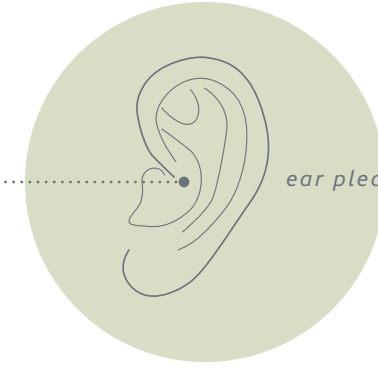
.21 - SiriusXM Satellite Radio²

With almost unlimited entertainment, SiriusXM Satellite Radio lets you drive from coast to coast while rarely missing a beat. Featuring over 180 stations of music, sports, talk and more, there's always something on to match your every mood.



.23 - BOSE® Sound System

Satisfying sound requires a premium delivery system. And no company is more synonymous with high-quality sound than BOSE®. Tailored to work with the interior space of the A3, the available BOSE® sound system lets you experience music the way it was intended.



ear pleasure

.22 - Audi Music Interface

If there is such a thing as being in complete control, this is it. The available Audi music interface integrates your iPod® seamlessly into the audio system, giving you full access to your iPod® through the audio system and steering-wheel-mounted controls.

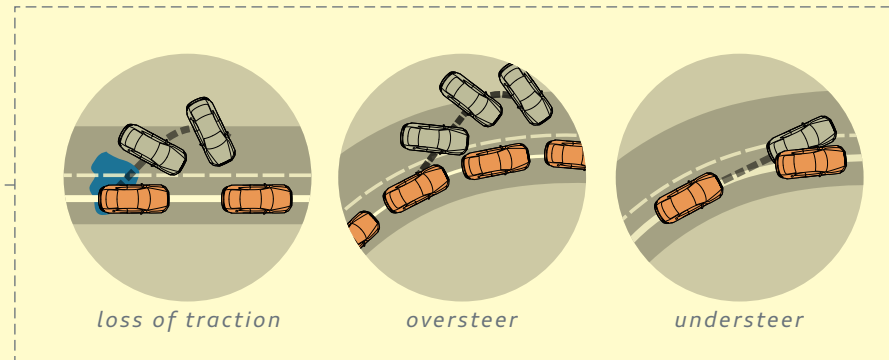
¹ See Infotainment/Technology section of Specifications for important information regarding the Audi MMI® Navigation plus system.
² See back cover for important information regarding required SiriusXM subscriptions.

We'll own up to being control freaks.

Some might see that as a problem, but to us it's just another way of saying we care. You see, we kind of have a thing for safety. Namely, yours. That's why we go out of our way to help you avoid a collision—and why we developed such a wide array of innovative driver-control technologies. And if the unthinkable does happen, you can rest easier knowing we've put in a solid and comprehensive last line of defense.

.24 - Electronic Stability Control

By continuously adjusting a number of drivetrain variables, including ABS, the traction control of ASR and the electronic brake force distribution of EBD, Electronic Stability Control helps ensure your A3 will maintain its intended path.

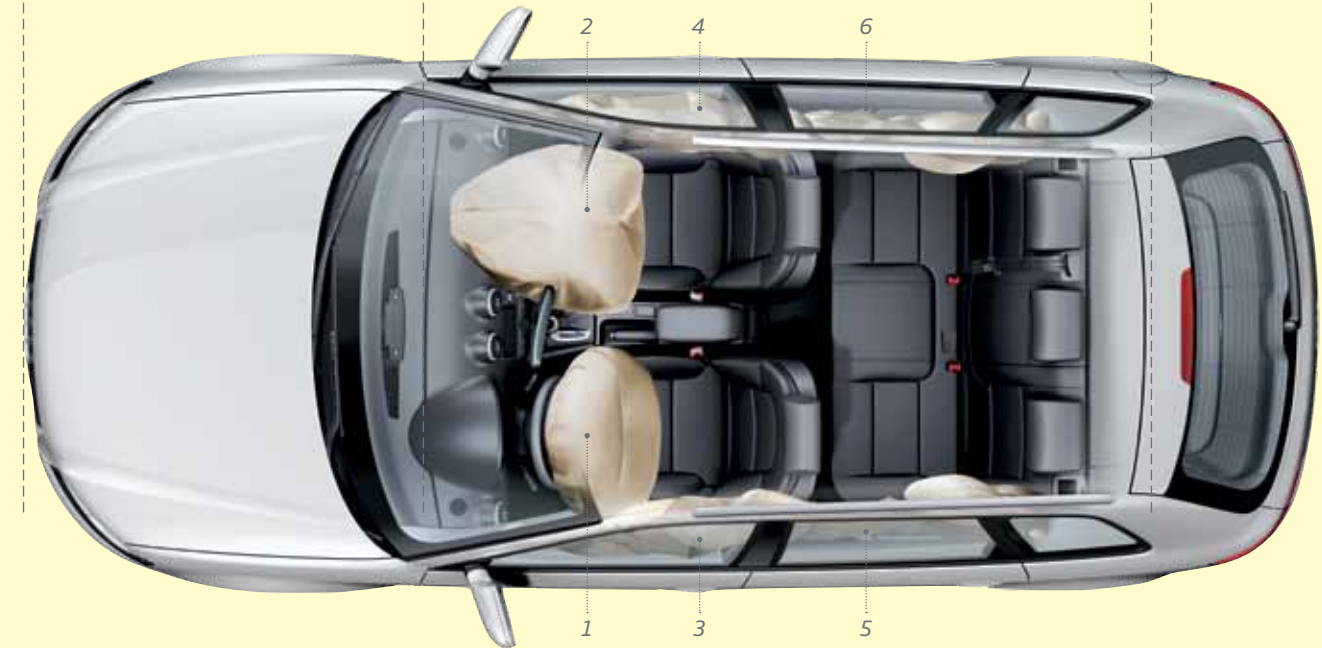


.25 - Crumple Zones

By deforming upon impact, crumple zones at the front and rear help to dissipate the energy and force of an impact, giving you and your passengers a tremendous level of protection.

.26 - Rigid Safety Cell

Using high-strength steel in and around the occupant cell helps support the integrity of the passenger compartment, even during severe impacts.



.27 - Six Standard Airbags¹

Helping provide an additional level of protection are six standard second-generation airbags. These include front-impact airbags for the driver and front passenger, designed to aid in protection of the head; seat-mounted thorax side airbags, engineered specifically to help protect the thorax; and Sideguard® head curtain airbags developed to offer front and rear outboard occupants some head protection in the event of a side collision or rollover. And for added protection, rear-passenger thorax side airbags are available, for a possible airbag total of eight.

This is a dramatization and does not depict what will happen in a collision. All bags will not inflate in real-world collisions and, if multiple bags do deploy, they will be in various stages of inflating/deflating and will never all be inflated at the same time. ¹ Airbags are supplemental restraints only and will not deploy under all crash circumstances. Always use safety belts and seat children only in the rear, using restraint systems appropriate for their size and age.

Accessories

Imagine a cherry on top of your sundae. Sweet, right? Now imagine a cherry that helps protect your A3 in the garage. Or carries your bikes for a serious weekend on the trails. Or makes heads swivel as you drive by. Audi Genuine Accessories are the little extras that make your Audi even sweeter. Designed by the same visionaries who designed your

vehicle, all accessories feature a tailored fit and the expert craftsmanship you'd expect from Audi. They are also backed by the 4-year/50,000-mile Audi New Vehicle Limited Warranty or the accessory's 12-month/12,000-mile limited warranty, whichever extends longer from the accessory purchase date.¹



18" Calera Alloy Wheel and Tire Package

These alloy wheels grab attention with their distinctive dual-spoke design, and come equipped with all-season tires.

18" Castell Alloy Wheels

These wheels make a strong statement with an eye-catching two-piece design.



All-weather Cargo Mat

Custom fit for your A3. Textured material helps control load shifting. Raised lip helps contain spills and protect cargo-area carpeting from stains.



Load Protection Film

This custom-fit transparent film helps protect the rear bumper from scratches while loading and unloading.

All-weather Floor Mats

Deep-ribbed, channeled design helps protect the floor and carpeting from water, mud, sand and snow. Rubber mats feature vehicle logo. Set of four mats.



Cargo Partition

This practical partition separates the passenger compartment from the luggage area. Great for pets and carrying large loads.



Base Carrier Bars

Attached to strong side brackets, these are the durable foundation of the Audi roof-rack system. (All roof-rack system attachments require the base carrier bars. All attachments sold separately.)

Audi Rings Valve Stem Caps

These handsome covers are made of polished stainless steel with a composite center cap. The cap is emblazoned with the iconic Audi rings.



Fork-mount Bike Rack

This secure mount makes transporting your bike an easy task. Lock included. (Base Carrier Bars sold separately.)

Other accessories not shown

Various Transport Solutions

The open road is calling—so bring all the right gear to enjoy the ride. The Audi line of storage accessories helps protect your possessions with a variety of intelligent and innovative solutions. Choose from bike racks, ski racks and a variety of cargo carriers.

Comfort and Protection Solutions

Audi Genuine Accessories offer a wealth of practical aids for more space, tidiness and safety on board with functional items to help keep your Audi in pristine condition. Use them all to help reduce wear and tear on your Audi and help keep it looking like new—inside and out.

Car Care

Use the only car care line specifically designed with your Audi in mind. Audi Guard car care products provide gentle cleansing formulas and special tools to help give interior and exterior surfaces the finest in cleaning and protection.

License Plate Frames

Choose from "Audi Sport" in carbon fiber, black powder-coat, polished and brushed finishes or "Truth in Engineering®" in polished and carbon fiber finishes. (Check local laws and regulations regarding use.)

Electronic Accessories

The many electronic accessories in your Audi are renowned for design that emphasizes user experience. All products are tested to help ensure compatibility with your vehicle's electrical systems so that you can easily enjoy what Audi technology has to offer.

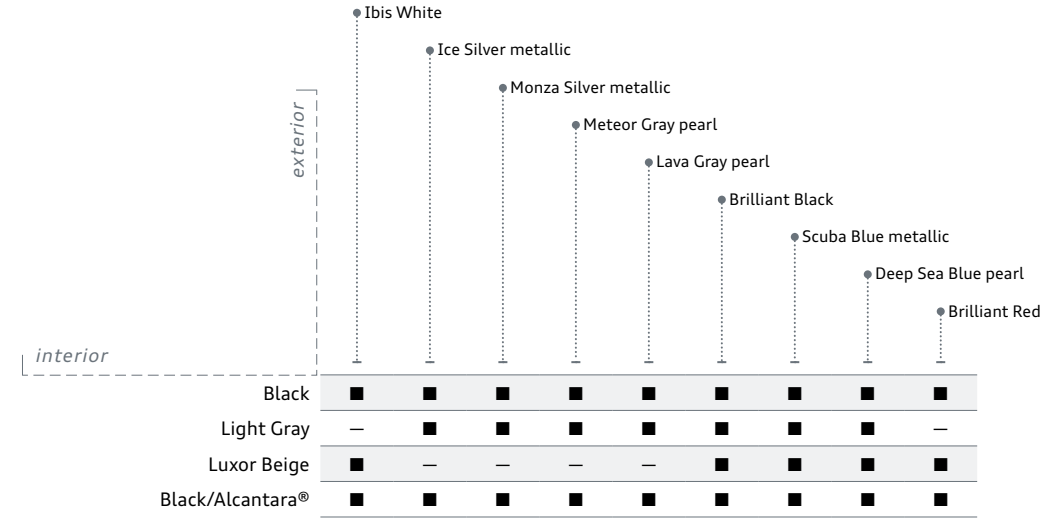
¹ See dealer for details.

Colors

exterior interior



Color Combinations



■ Available combination — N/A



Decorative Inlays

Black
Flexmetallic inlay standard



Light Gray
Aluminum Medial inlay Premium Plus models



Luxor Beige
Dark Brown Walnut Wood inlay optional



Black/Perforated Alcantara®
Piano Black inlay Titanium Sport Package



Wheels

17" 5-split-spoke design
225/45 all-season tires



A3 Premium

17" 10-spoke design
225/45 all-season tires



A3 Premium Plus

18" 5-segment-spoke design
225/40 summer performance tires¹



18" Sport Package

18" titanium 5-arm-rotor design
225/40 summer performance tires¹



Titanium Sport Package

Configurations | Dimensions

A3 Models

	A3 Premium	A3 Premium Plus	A3 TDI® Premium	A3 TDI® Premium Plus
2.0T with Audi S tronic® dual-clutch transmission and FrontTrak® front-wheel drive	□	□	—	—
2.0T with six-speed manual transmission and FrontTrak® front-wheel drive	□	□	—	—
2.0T with Audi S tronic® dual-clutch transmission and Audi quattro® all-wheel drive	□	□	—	—
2.0 TDI® with Audi S tronic® dual-clutch transmission and FrontTrak® front-wheel drive	—	—	■	■

A3 Engine Specifications

	A3 Premium	A3 Premium Plus	A3 TDI® Premium	A3 TDI® Premium Plus
2.0-liter turbocharged: Intercooled, DOHC four-cylinder gasoline engine with Audi TFSI® direct injection. Horsepower: 200 hp @ 5,100–6,000 rpm / Torque: 207 lb-ft @ 1,800–5,000 rpm	■	■	—	—
2.0-liter turbocharged: Intercooled, DOHC four-cylinder clean diesel engine with Audi TDI® direct injection. Horsepower: 140 hp @ 4,200 rpm / Torque: 236 lb-ft @ 1,750–2,500 rpm	—	—	■	■

A3 Performance Specifications

	0 – 60 mph ²	Top Speed ² (electronically limited)
2.0T with Audi S tronic® dual-clutch transmission and FrontTrak® front-wheel drive	6.9 seconds	130 mph
2.0T with six-speed manual transmission and FrontTrak® front-wheel drive	7.1 seconds	130 mph
2.0T with Audi S tronic® dual-clutch transmission and Audi quattro® all-wheel drive	6.7 seconds	130 mph
2.0 TDI® with Audi S tronic® dual-clutch transmission and FrontTrak® front-wheel drive	8.9 seconds	130 mph

Exterior Dimensions

Length: 169.0"	Track, front: 60.3"
Width: 78.5"	Track, rear: 59.3"
Height: 56.0"	Wheelbase: 101.5"

Interior Dimensions

Head room: 39.3" (front) 36.9" (rear)	Shoulder room: 54.4" (front) 52.8" (rear)
Leg room: 41.2" (front) 34.8" (rear)	EPA cargo volume: 19.5 cu ft 39.0 cu ft (with rear seatback folded)

Fuel Economy Estimates, City/Highway/Combined

A3 2.0T with manual transmission and FrontTrak®: 21/30/24	A3 2.0T with Audi S tronic® dual-clutch transmission and quattro®: 21/28/24
A3 2.0T with Audi S tronic® dual-clutch transmission and FrontTrak®: 22/28/24	A3 2.0 TDI with Audi S tronic® dual-clutch transmission and FrontTrak®: 30/42/34

EPA estimates. Your mileage will vary. See www.fueleconomy.gov for details.

Weights and Capacities

Curb weight: A3 with manual transmission and FrontTrak®: 3,219 lb A3 with S tronic® transmission and FrontTrak®: 3,296 lb A3 with S tronic® transmission and Audi quattro®: 3,461 lb A3 TDI®: 3,318 lb
Engine oil capacity (2.0T/2.0 TDI): 4.8 qt/4.2 qt
Fuel tank capacity (FrontTrak®/Audi quattro®): 14.5 gal/15.8 gal

¹ Tires are supplied and warranted by their manufacturer. High-performance tires are designed for optimum performance and handling in warm climates. They are not suitable for cold, snowy, or icy weather conditions. If you drive under those circumstances, you should equip your vehicle with all-season or winter tires, which offer better traction under those conditions. We suggest you use the recommended winter or all-season tire specified for your car or its equivalent. These high-performance tires also have a lower aspect ratio that aids performance and handling; however, in order to avoid tire, rim or vehicle damage, it is important that the inflation pressure is regularly checked and maintained at optimum levels. Please also remember in making your selection that, while these tires deliver responsive handling, they may ride less comfortably and make more noise than other choices. Finally, these tires may wear more quickly than other choices. ² Always obey local speed and traffic laws.

■ Standard □ Optional — N/A

Specifications

	A3 Premium	A3 Premium Plus	A3 TDI® Premium	A3 TDI® Premium Plus
Chassis				
Fully galvanized steel unibody with multistep anti-corrosion protection	■	■	■	■
MacPherson strut front suspension with stabilizer bar	■	■	■	■
Four-link rear suspension with stabilizer bar	■	■	■	■
Sport suspension calibration	□	□	□	□
Audi servotronic® speed-sensitive power steering—varies assistance based on vehicle speed	■	■	■	■
Audi quattro® all-wheel drive system utilizing center differential	□	□	–	–
FrontTrak® front-wheel drive	□	□	■	■
Six-speed manual transmission (not available with Audi quattro®)	□	□	–	–
Six-speed Audi S tronic® dual-clutch transmission	□	□	■	■
Safety Security				
Driver and front passenger dual-stage airbags, thorax side airbags and Sideguard® head curtain airbags ¹	■	■	■	■
Rear-passenger thorax side airbags ¹	□	□	□	□
Front passenger occupant detection—for airbags	■	■	■	■
Safety belt reminder for driver and front passenger	■	■	■	■
Lower Anchors and Tethers for CHildren (LATCH) in rear seats	■	■	■	■
Power central locking system	■	■	■	■
Electronic Stability Control (ESC) with traction control (ASR)	■	■	■	■
Anti-lock Brake System (ABS) with Electronic Brake-pressure Distribution (EBD) and brake assist	■	■	■	■
Front ventilated disc brakes	■	■	■	■
Rear disc brakes	■	■	■	■
Hill hold assist	■	■	■	■

■ Standard □ Optional – N/A

Infotainment | Technology

	A3 Premium	A3 Premium Plus	A3 TDI® Premium	A3 TDI® Premium Plus
Audi Navigation plus with traffic information ²	–	□	–	□
Driver information system	■	■	■	■
Audi concert radio with ten speakers and single CD player with MP3 playback capability	■	■	■	■
BOSE® sound system with ten speakers and AudioPilot® noise compensation	–	□	–	□
SiriusXM Satellite Radio with 90-day trial subscription ³	■	■	■	■
Audi music interface with iPod® integration (not available with six-disc CD changer)	–	□	–	□
Six-disc CD changer (not available with Audi music interface)	–	□	–	□
BLUETOOTH® wireless technology preparation for mobile phone	□	■	□	■
Cruise control with coast, resume and accelerate features	■	■	■	■
Parking system with rear sensors	–	□	–	□
Rain/light sensors for automatic windshield wipers and headlights	–	□	–	□

¹ Airbags are supplemental restraints only and will not deploy under all crash circumstances. Always use safety belts and seat children only in the rear, using restraint systems appropriate for their size and age. ² Audi Navigation plus depends on signals from the worldwide Global Positioning Satellite network. The vehicle's electrical system, and existing wireless and satellite technologies, must be available and operating properly for the system to function. The system is designed to provide you with suggested routes in locating addresses, destinations and other points of interest. Changes in street names, construction zones, traffic flow, points of interest and other road system changes are beyond the control of Audi of America, Inc. Complete detailed mapping of lanes, roads, streets, toll roads, highways, etc., is not possible, therefore you may encounter discrepancies between the mapping and your actual location. Please rely on your individual judgment in determining whether or not to follow a suggested Audi Navigation plus route. Periodically, the mapping is updated, and a new DVD will be required in order to maintain the latest navigation information available to us. These will be available for purchase from time to time at an additional cost. Consult your dealer or call 1-800-FOR-AUDI for details. ³ See back cover for important information regarding required SiriusXM subscriptions.

Specifications

	A3 Premium	A3 Premium Plus	A3 TDI® Premium	A3 TDI® Premium Plus
Exterior				
Audi Singleframe® grille	■	■	■	■
Halogen headlights	■	-	■	-
Xenon plus headlights with LED day-time running light technology	-	■	-	■
Automatic headlights	-	□	-	□
Front fog lights	■	■	■	■
Power-adjustable side mirrors	■	■	■	■
Power-adjustable heated side mirrors	□	□	□	□
LED turn indicator light technology integrated in the side mirrors	■	■	■	■
Heated windshield washer nozzles	□	□	□	□
Single exhaust pipe with chrome tip	-	-	■	■
Single exhaust pipe with dual chrome tips	■	■	-	-
Audi S line® exterior appearance	■	■	■	■
Aluminum roof rails	□	□	□	□
Black roof rails	-	□	-	□

	A3 Premium	A3 Premium Plus	A3 TDI® Premium	A3 TDI® Premium Plus
Interior				
Dual-zone automatic climate control	■	■	■	■
Four-spoke steering wheel	■	-	■	-
Four-spoke multifunction steering wheel	□	-	□	-
Three-spoke multifunction steering wheel with shift paddles (Audi S tronic® transmissions only)	-	■	-	■
Tilt and telescopic manually adjustable steering column	■	■	■	■
Auto-dimming rearview mirror with compass	-	□	-	□
Leather seating surfaces	■	■	■	■
Leather/Alcantara® seating surfaces	-	□	-	□
Six-way manual driver seat	■	-	■	-
Six-way manual front passenger seat	■	■	■	■
Eight-way power driver's seat (includes four-way power lumbar adjustment)	□	■	□	■
Sport front seats	-	□	-	□
Heated front seats	□	□	□	□
60/40 split folding rear seatback	■	■	■	■
Dual front sun visors with vanity mirror	■	■	■	■
Power windows with one-touch up/down operation and pinch protection	■	■	■	■
Open Sky panoramic sunroof	□	□	□	□

Packages | Options

	A3 Premium	A3 Premium Plus	A3 TDI® Premium	A3 TDI® Premium Plus
Packages				
Cold Weather Package: Power-adjustable heated side mirrors, heated windshield washer nozzles, and heated front seats	□	□	□	□
BLUETOOTH® Value Package: BLUETOOTH® wireless technology preparation for mobile phone, four-spoke multifunction steering wheel, and eight-way power front driver seat (includes four-way power lumbar adjustment)	□	-	□	-
Convenience Package: BOSE® sound system with ten speakers and AudioPilot® noise compensation, parking system with rear sensors, rain/light sensors for automatic windshield wipers and headlights, and auto-dimming rearview mirror with compass	-	□	-	□
Audi Navigation Plus Package: Audi Navigation plus and six-disc CD changer or Audi music interface	-	□	-	□
18" Sport Package: 18" 5-segment-spoke design alloy wheels, summer performance tires ¹ , sport suspension calibration, and sport front seats	□	□	□	□
Titanium Sport Package: 18" titanium 5-arm-rotor design alloy wheels, summer performance tires ¹ , sport suspension calibration, black-optic exterior appearance, front sport seats, Piano Black interior trim, and black cloth headliner	-	□	-	□
Individual Options				
Aluminum roof rails	□	□	□	□
Black roof rails	-	□	-	□
Dark Brown Walnut Wood inlays	□	□	□	□
Rear-passenger thorax side airbags	□	□	□	□
Open Sky panoramic sunroof	□	□	□	□

Cold Weather Package Highlights



Convenience Package Highlights



Titanium Sport Package Highlights



¹ Tires are supplied and warranted by their manufacturer. High-performance tires are designed for optimum performance and handling in warm climates. They are not suitable for cold, snowy, or icy weather conditions. If you drive under those circumstances, you should equip your vehicle with all-season or winter tires, which offer better traction under those conditions. We suggest you use the recommended winter or all-season tire specified for your car or its equivalent. These high-performance tires also have a lower aspect ratio that aids performance and handling; however, in order to avoid tire, rim or vehicle damage, it is important that the inflation pressure is regularly checked and maintained at optimum levels. Please also remember in making your selection that, while these tires deliver responsive handling, they may ride less comfortably and make more noise than other choices. Finally, these tires may wear more quickly than other choices.

2012 | A3

Audi of America
Audiusa.com
Facebook.com/Audi

Note: A word about this brochure. Audi of America, Inc., believes the specifications in this brochure to be correct at the time of printing. However, specifications, standard equipment, options, fabrics, and colors are subject to change without notice. Some equipment may be unavailable when your vehicle is built. Please ask your dealer for advice concerning current availability of standard and optional equipment, and your dealer will verify that your vehicle will include the equipment you ordered. Vehicles in this brochure are shown with optional equipment. See your dealer for complete details on the New Vehicle Limited Warranty, twelve-year limited warranty against corrosion perforation, and Audi 24/7 Roadside Assistance. (Roadside assistance coverage provided by Road America in the U.S. Certain conditions apply; see your dealer for details.) Tires supplied by various manufacturers. "Audi," all model names, "FrontTrak," "FSI," "quattro," "Sideguard," "Singleframe" and the Singleframe grille design, "S line," "S tronic," "TFSI," "Truth in Engineering," and the four rings logo are registered trademarks of AUDI AG. "AdBlue" is a registered trademark of the Verband der Automobilindustrie. "Alcantara" is a registered trademark of Alcantara S.p.A. The BLUETOOTH word mark and logos are owned by the Bluetooth SIG, Inc., and use of any such marks by AUDI AG is under license. "BOSE" and "AudioPilot" are registered trademarks of the Bose Corporation. "iPod" is a registered trademark of Apple, Inc. "Sirius" and all related marks and logos are trademarks of SiriusXM Radio Inc. and its subsidiaries. SiriusXM Satellite Radio subscriptions sold separately or as a package after trial expires. Subscriptions are governed by SiriusXM Customer Agreement (see www.siriusxm.com) and are continuous until you call SiriusXM to cancel. Sirius U.S. Satellite Service available only to those 18 and older in the 48 contiguous U.S.A., D.C and Puerto Rico (with coverage limitations). "TDI" is a registered trademark of Volkswagen AG. All other trademarks are the property of their respective owners. Some European models shown.